



Body Control I
GlideLoc Fall Arrester



Universal II
GlideLoc Fall Arrester



GlideLoc® Vertical Height Access Ladder System Kits

USER INSTRUCTION MANUAL

TABLE OF CONTENTS

SOMMAIRE

GlideLoc System Kit Diagram
 Schéma de l'ensemble du système GlideLoc
Instructions for Use
 Mode d'emploi

- EN** English..... 3-13
- FR** Français..... 14-25

Appendix A: System Replacement
Parts..... 26
 Annexe A: Pièces de rechange du système

Appendix B: Inspection and Maintenance
Log..... 27
 Annexe B: Registre D'inspection et D'entretien

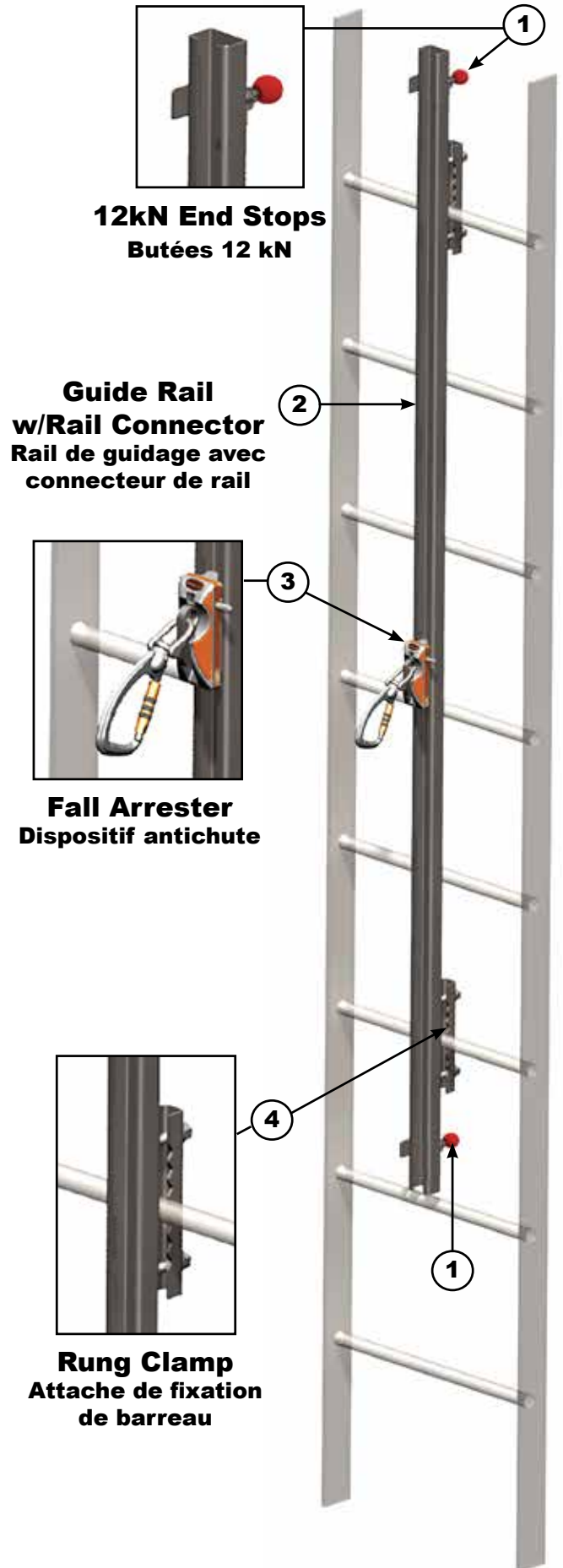
Appendix C: System Tag
Parts..... 27
 Annexe C: Étiquette du système

Download this manual and product specification sheets
 at: www.millerfallprotection.com

Téléchargez ce manuel et les fiches techniques sur:
www.millerfallprotection.com

GLIDELOC SYSTEM KIT DIAGRAM

SCHÉMA DE L'ENSEMBLE DU SYSTÈME GLIDELOC





INSTRUCTIONS FOR USE

Fall Protection Systems VERTICAL LADDER CLIMBING SYSTEM KITS

Thank you for your purchase of Honeywell Miller fall protection equipment manufactured by Honeywell Industrial Safety.

WARNING

All persons using this equipment must read, understand and follow all instructions. Failure to do so may result in serious injury or death. Do not use this equipment unless you are properly trained.

It is crucial that the authorized person/user of this equipment read and understand these instructions. In addition, federal law requires employers to ensure that all users are trained in the proper installation, use, inspection, and maintenance of fall protection equipment. Fall protection training should be an integral part of a comprehensive safety program.

Proper use of fall arrest systems can save lives and reduce the potential of serious injuries from a fall. The user must be aware that forces experienced during the arrest of a fall or prolonged suspension may cause bodily injury. Consult a physician if there is any question about the user's ability to use this product. Pregnant women and minor children must not use this product.

1.0 Purpose

The innovative GlideLoc® Vertical Height Access Ladder System Kit is designed to be permanently installed to existing vertical fixed ladders to provide superior worker maneuverability and fall protection in ladder climbing applications. It is ideal for wind power/turbines, telecommunications, utilities, industrial facilities, drilling rigs/platforms, shipbuilding, crane installation and confined space. The GlideLoc System meets local standards requirements.

2.0 General Requirements, Warnings and Limitations

2.1 General Fall Protection Warnings

All warnings and instructions shall be provided to authorized persons/users. Warnings and instructions must be read and understood prior to using this equipment.

All authorized persons/users must reference the regulations governing occupational safety, as well as applicable standards (i.e, ANSI or CSA).

Proper precautions should always be taken to remove any obstructions, debris, material, or other recognized hazards from the work area that could cause injuries or interfere with the operation of the system.

All equipment must be inspected before each use according to the manufacturer's instructions.

All equipment should be inspected by a qualified person on a regular basis.

To minimize the potential for accidental disengagement, a competent person must ensure system compatibility.

Equipment must not be altered in any way. Repairs must be performed only by the equipment manufacturer, or persons or entities authorized, in writing, by the manufacturer.

Any product exhibiting deformities, unusual wear, or deterioration must be immediately discarded.

Do not use if the unit or any part of the system appears to be damaged.

Any equipment subject to a fall must be removed from service. (Refer to 9.0 Inspection and Maintenance.)

The user shall have a rescue plan and the means at hand to implement it when using this equipment.

Never use fall protection equipment for purposes other than those for which it was designed. Fall protection equipment should never be used for towing or hoisting.

Never remove product labels, which include important warnings and information for the authorized person/user.

2.2 System Warnings and Limitations

System Compatibility

GlideLoc Kits are designed for use with Honeywell-approved components only. Substitution or replacement with non-approved component combinations, sub-systems, or both, may affect or interfere with the safe function of each other and endanger the compatibility within the system. This incompatibility may affect the reliability and safety of the total system.

GlideLoc Kits must be used in conjunction with the Body Control I GlideLoc Fall Arrester with auto-locking carabiner, Comfort GlideLoc Fall Arrester with auto-locking carabiner, Comfort² GlideLoc Fall Arrester with auto-locking carabiner, or the Universal II GlideLoc Fall Arrester with auto-locking carabiner and a Miller full-body harness equipped with a front attachment point designated for ladder climbing.

[NOTE: All instructions and warnings provided with the fall arrester and harness must be read and understood before using the equipment.]

System Capacity

The GlideLoc System can sustain multiple users so long as the load-bearing capacities of the base structure, ladder and ladder attachment are adequate. One (1) person per guide rail section is permitted. The distance between users must not be less than 7 ft. (2.1m) to ensure that, in the event of a fall, the person falling will not strike a user below. The maximum number of workers allowed by ANSI A14.3 is four (4) per system.

Fall Clearance

Ensure that adequate clearance exists in the fall path to avoid striking a lower level, some other object, or another user.

Fall Arrester Capacity

Fall arresters are designed for use by one person only. Maximum capacity is 310 lb. (140.6kg). **DO NOT EXCEED THIS WEIGHT.**

Environmental Hazards

Use of this equipment in areas where environmental hazards exist may require additional precautions to limit the possibility of injury to the user or damage to the equipment. Hazards may include, but are not limited to, extreme temperatures, caustic chemicals, corrosive environments, high voltage power lines, explosive or toxic gases, moving machinery, and sharp edges. Do not expose the equipment to any hazard which it is not designed to withstand. Consult the manufacturer in cases of doubt.

- Guide rail must be kept clean--free of dirt, residual mortar, and other substances.
- Use of this system is not suitable when the user is positioned on an unstable surface, fine-grain material, or particulate or entities authorized, in writing, by the manufacturer.

3.0 System Requirements

Before installation of a GlideLoc Kit, the structure and ladder on which the system is to be affixed must be certified to be capable of withstanding the potential loads that may be applied in the event of a fall arrest and must meet the specified ladder requirements.

Ladder Requirements

For the kits, a ladder must be a fixed ladder with rungs having outer diameters between 3/4 inch (19.1mm) and 1-1/4 inches (31.8mm). For ladder rungs with larger diameters, rung clamps with longer hardware are available which will accommodate rungs up to 1-3/4 inches (44.5mm).

According to ANSI A14.3, the minimum width of the ladder must be 16 inches (406.4mm) from inside rail to inside rail.

For non-standard ladder rungs, please contact Miller Technical Services at 800-873-5242 for additional information and installation assistance.

The integrated shock absorber of the Body Control I, Comfort, Comfort² and Universal II fall arresters limits fall arrest forces to 1350 lbf. (6kN). This is the maximum force on a ladder system for a single user.

To calculate the maximum working load rating on a ladder system with more than one user, the following formula can be used as a guide:

$$\text{Ladder Working Load Rating} = (\text{Fall Arrest Force} + (\text{Maximum \# of Users} - 1 \times \text{Weight of Worker}))$$

Example: Ladder rated for 4 users at 250 lbf. each:

$$\begin{aligned} \text{Ladder Working Load Rating} &= (1350 \text{ lbf.} + (3 \times 250 \text{ lbf.})) \\ &= 2100 \text{ lbf. Ladder Working Load} \end{aligned}$$

To calculate the maximum working load rating on an individual ladder rung for more than one user, the following formula can be used as a guide:

$$\text{Ladder Rung Working Load Rating} = \frac{(\text{Fall Arrest Force} + (\text{Maximum \# of Users} - 1 \times \text{Weight of Worker}))}{\text{\# of Ladder Clamps}}$$

Example: Ladder rated for 4 users at 250 lbf. each on a GS0040 system:

$$\begin{aligned} \text{Ladder Rung Working Load Rating} &= \frac{(1350 \text{ lbf.} + (3 \times 250 \text{ lbf.}))}{7} \\ &= 300 \text{ lbf. per Ladder Rung} \end{aligned}$$

IMPORTANT NOTES:

1. Working load rating DOES NOT INCLUDE A SAFETY FACTOR.
2. Specific ladder compliance standards may vary and must be used when required to determine rung force requirements and safety factors.
3. The fall arrester limits the maximum fall arrest force to under 1350 lbf. (6kN). This is the maximum force on a ladder system for a single user.

4.0 Description of System Components

4.1 GlideLoc System Kit

1) 12kN End Stops

- For use at top and bottom of rail system.
- Prevents incorrect insertion of the fall arrester and unintended disengagement of the fall arrester from the rail.

2) Guide Rail w/Rail Connector

- Installs easily to vertical fixed ladders with varying rung diameters and spacing.
- Markings identify the upper end of the rail to prevent incorrect installation.
- Rail connector connects two guide rails sections.
- Rail available in 10 ft.-1 in. (3.08m) increments in galvanized steel, stainless steel and aluminum.

3) Body Control I, Comfort or Comfort² Fall Arrester

- *Fall arrester purchased separately.*
- Durable stainless steel & aluminum construction (Body Control I/Comfort) or complete stainless steel construction for maximum corrosion-resistance (Comfort²).
- Quick and easy to install with single-hand operation.
- The safety pin protruding from the side of the fall arrester, together with the end stop, prevents the fall arrester from being inserted incorrectly in the rail.
- Allows smooth, hands-free climbing with or without leaning back.
- Locks quickly in the event of a fall.
- Integrated shock absorber/fall indicator limits fall arrest forces to 1350 lbf. (6kN) and provides for ease of inspection.

OR

Universal II Fall Arrester

- *Fall arrester purchased separately.*
- Complete stainless steel construction for maximum corrosion-resistance.
- May be inserted or removed at any point along the guide rail.
- Quick and easy to install with single-hand operation.
- Failsafe design ensures correct usage.
- Allows smooth, hands-free climbing.
- Locks quickly in the event of a fall.
- Integrated shock absorber/fall indicator limits fall arrest forces to 1350 lbf. (6kN) and provides for ease of inspection.

4) Rung Clamp

- Secures guide rail to ladder rungs.
- Available in galvanized steel, stainless steel & aluminum.

4.2 System Replacement Parts See Appendix A.

5.0 System Installation

- Before installation, carefully inspect all components of the system according to the manufacturer's instructions (see 9.0 Inspection and Maintenance). Do not use if there are any damaged or missing parts (see 4.2 System Replacement Parts).
- Ensure that the structure/ladder on which the GlideLoc Kit is to be affixed is capable of withstanding loads resulting from a fall (see 3.0 System Requirements).
- Guide rail sections must be clean--free of dirt, residual mortar, and other substances--before installing.
- When installing components throughout the system, bolts must be inserted from the front of the system to the back to ensure proper operation of the fall arrester on the rail.
- Use only Miller approved components and fasteners in this system. Do not use substitute parts.

⚠ WARNING

Secondary personal fall protection is required during installation. Persons installing the system must use caution and shall not be exposed to a fall hazard during the installation procedure. Do not connect to any partially installed component within the system.

System Installation Overview: The GlideLoc System may be installed from the bottom of the ladder up or from the top down. Consideration should be given to the length of the system, the ladder application, the availability of scaffolding, the top rail requirements, etc.

Top Rail Requirements -- The top rail section of the system must be a complete 10 ft.-1 in. (3.08m) section. The top rail section cannot extend above the top ladder rung by more than 36 in. (914mm). It is recommended that the bottom rail section be modified or cut to meet these requirements. Therefore, if it is not possible to measure or calculate whether the top rail section will meet these requirements due to the length of the ladder and system, it may be necessary to install the system from the top of the ladder down to ensure compliance.

Tools Required for Installation: 3/4" and 11/16" or 19mm and 17mm tools required for most hardware.

5.1 Installation of the Bottom Guide Rail Section to Ladder using Rung Clamps

IMPORTANT: To prevent incorrect installation of the guide rail to the ladder, all rail sections are marked by the manufacturer with a red plastic ribbon attached at the upper end of the rail and an arrow stamping placed directly underneath the upper oblong hole (see Fig. 1a). During installation, the arrow stamping must always point upwards. In addition, the front of the guide rail (where the fall arrester will slide) must face outwards on the front of the ladder.

NOTE: Rung clamps must be spaced a maximum of 7 ft. (2.1m) apart (from center to center - see Fig. 1b) throughout the system. Never install a system with fewer than four (4) rung clamps.

1. Place the back of the guide rail section flat against the rungs of the ladder at the desired height and hold in place.
2. Install the rung clamp by placing the clamp jaws over a ladder rung and aligning the holes on the rung clamp with the oblong holes in the guide rail. Insert first bolt through the aligned holes above the ladder rung and attach a washer and nut; then attach a second nut, using it to jam the first nut in place (see Fig. 1c - *Note: For stainless steel and aluminum rung clamps, a washer and one self-locking nut are used*). Insert second bolt through the aligned holes below the ladder rung and again attach a washer and two nuts. Torque fasteners to 18.5 ft.-lbs. (25Nm).

Follow above procedure to install additional rung clamps ensuring that clamps are spaced according to specifications.

Fig. 1a

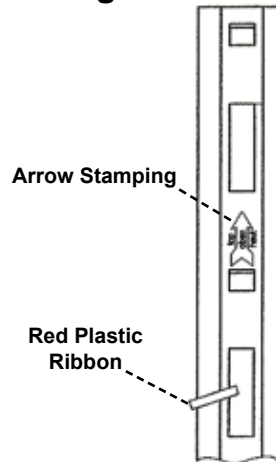


Fig. 1b

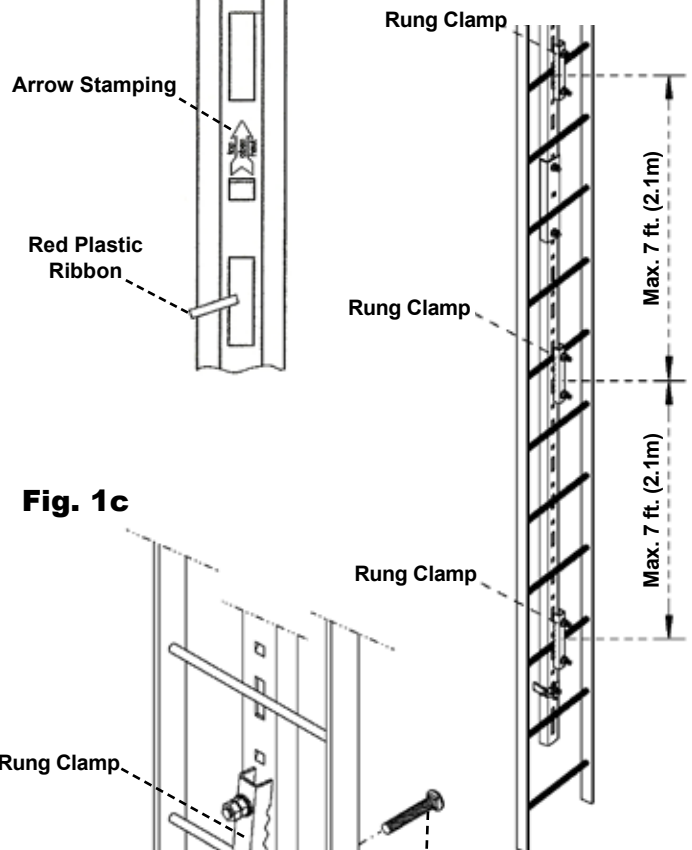
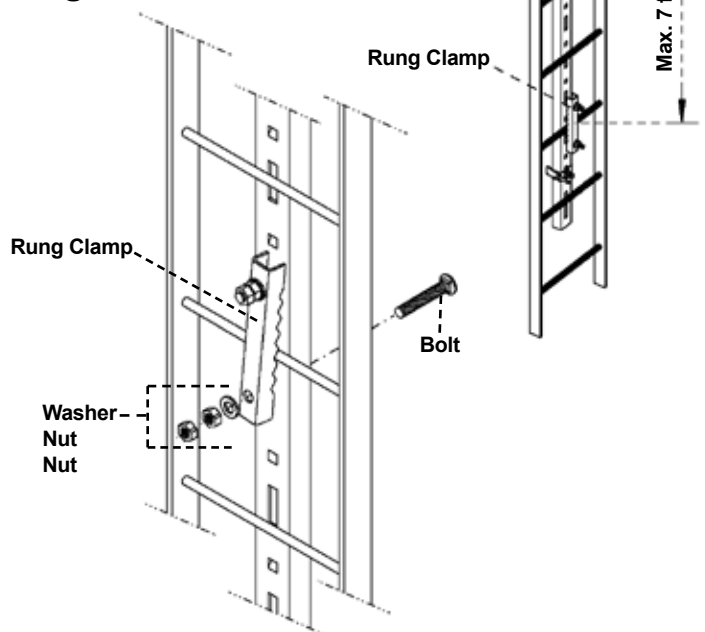


Fig. 1c



5.2 Installation of End Stop at Bottom of Rail System

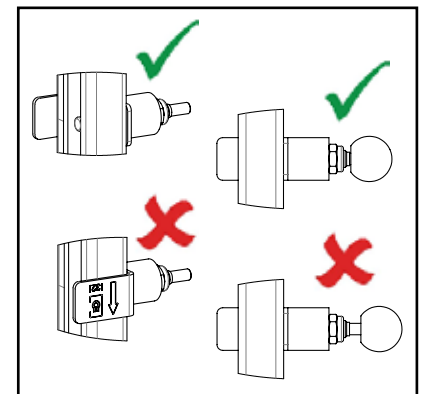
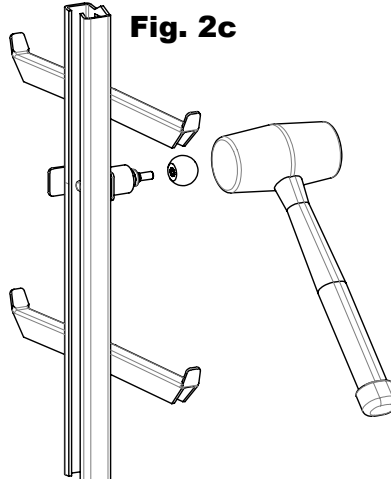
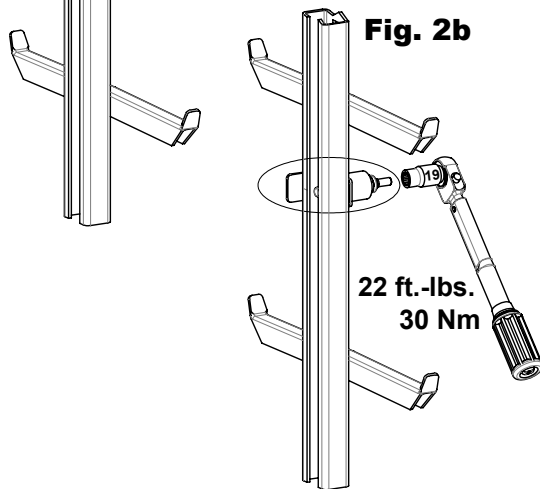
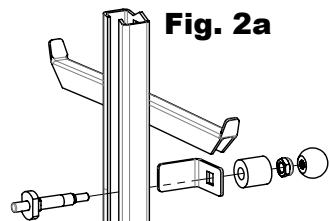
END STOP 26027

NOTE: The 26027 End Stop is designed for installation at the bottom and at the top of the rail system. Follow all installation specifications and instructions for proper mounting.

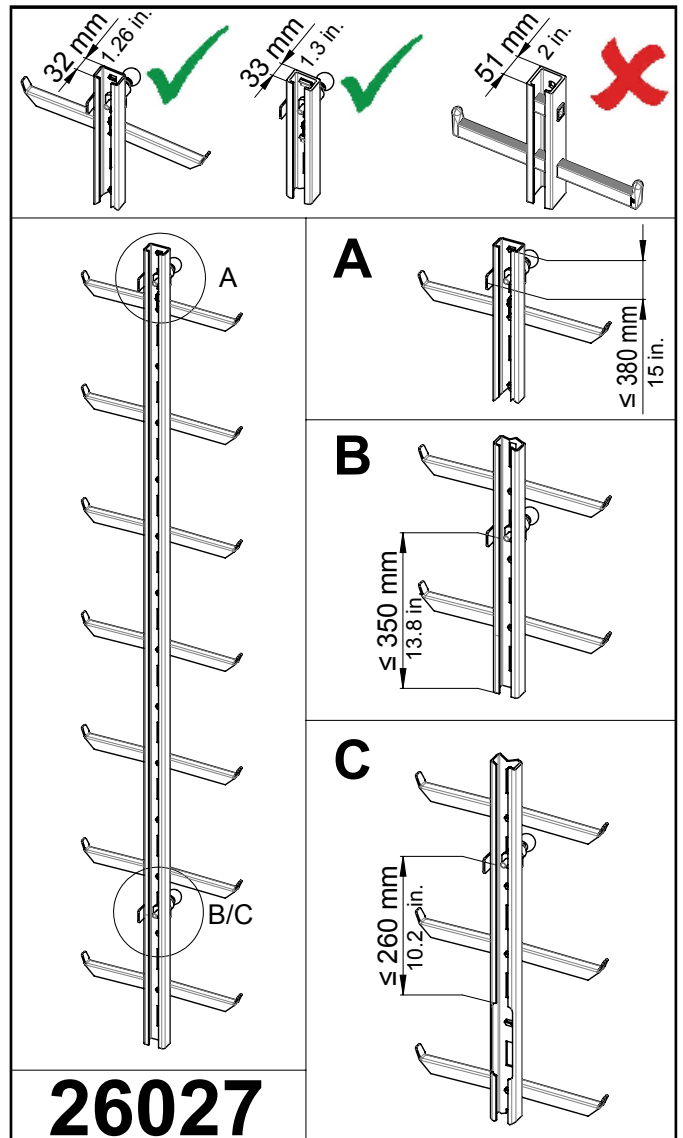
1. Fix the end stop to the back of the bottom guide rail section, aligning, ordering and assembling the components of the end stop as shown (see Fig. 2a) to the oblong hole in the guide rail (see Installation Specifications for location of end stop in relation to bottom and top of rail system).
2. Using a 19mm bolt torque wrench, tighten the nut to 22 ft.-lbs. (30Nm) (see Fig. 2b).
3. Install the red plunger to the end of the shaft using a rubber mallet (see Fig. 2c).

WARNING: In order to prevent incorrect insertion of the fall arrester to the guide rail, it must only be inserted after the bottom end stop has been installed.

IMPORTANT: If the ladder is not mounted at ground level, a second bottom end stop must be installed (see Fig. 2e). The second bottom end stop should be located approximately 5 ft. (1.5m) from the bottom of the rail. This will ensure maximum safety for a worker when descending.



INSTALLATION SPECIFICATIONS



GATED BOTTOM END STOP 21049

1. Fix the bottom end stop to the back of the bottom guide rail section, aligning the hole in the end stop with the oblong hole in the guide rail located above the second notch (see Fig. 2b). NOTE: The gate on the end stop must be located on the right side of the guide rail when facing the front of the system.
2. Insert bolt (front to back) through the aligned holes and attach washer and nut. Tighten fastener until snug.

WARNING: In order to prevent incorrect insertion of the fall arrester to the guide rail, it must only be inserted after the Bottom End Stop has been installed.

IMPORTANT: If the ladder is not mounted at ground level, a second bottom end stop must be installed (see Fig. 2e). The second bottom end stop should be located approximately 5 ft. (1.5m) from the bottom of the rail. This will ensure maximum safety for a worker when descending.

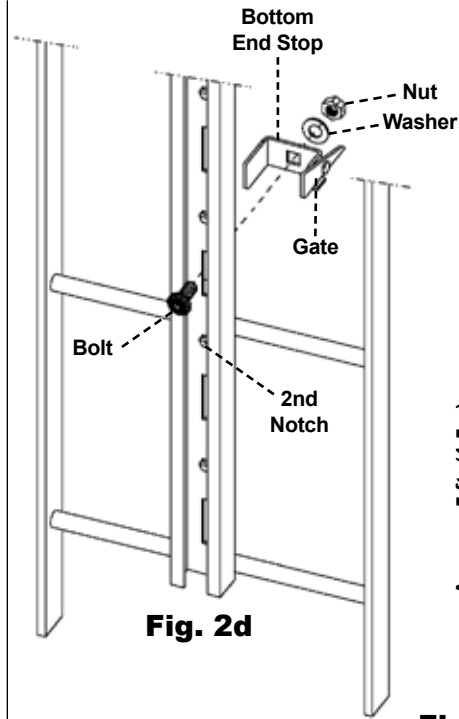


Fig. 2d

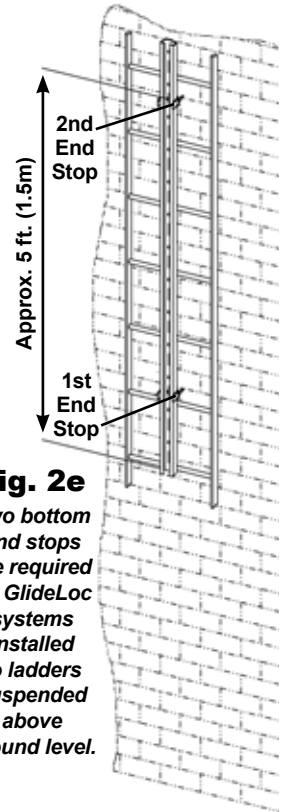


Fig. 2e
Two bottom end stops are required on GlideLoc systems installed to ladders suspended above ground level.

5.3 Installation of Additional Guide Rail Sections

1. Remove upper bolt from rail connector if attached.
2. To install additional guide rail, rest the next rail section against the ladder and insert it vertically into the previously fixed guide rail section (see Fig. 3a).

NOTE: Under positive ambient temperature, the minimum gap width between guide rail sections is 1/16 in. (2mm). Under negative ambient temperature, the minimum gap width is 2/16 in. (3mm). The maximum gap width of 3/16 in. (5mm) must not be exceeded, independent of ambient temperature.

3. Insert upper bolt through added rail section and rail connector and attach washer, lockwasher and nut. (NOTE: The nut should only be tightened when the added rail section is in alignment to the lower section and at least one rung clamp of the upper section has been installed.)
4. Secure additional guide rail section using rung clamp(s). Follow step 2 in section 5.1.
5. Torque rail connector fasteners to 18.5 ft.-lbs. (25Nm).

WARNING: Bolts pre-assembled at the manufacturer must also be tightened to required torque specifications.

6. The red plastic ribbon on lower guide rail section may now be cut.

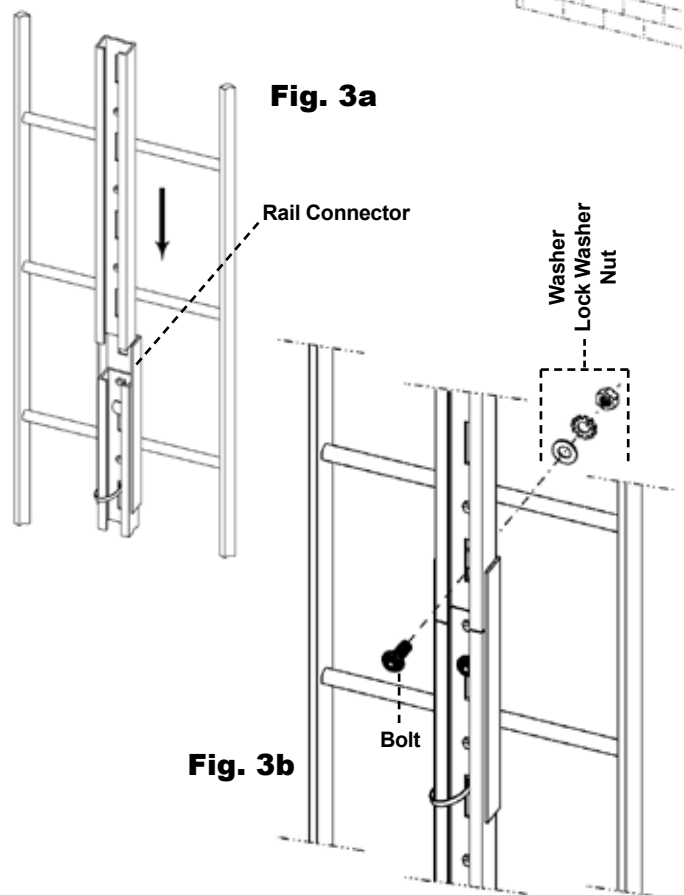


Fig. 3a

Fig. 3b

If the ladder rungs impede the connection of two guide rail sections, the rail sections can be bolted together using the alternative holes on the rail connector (see Fig. 3c). In this case, the guide rail must be fixed on the long side of the rail connector at a maximum of 22 in. (560mm) away from the joint (where the rung clamp is installed on the ladder rung - see Fig. 3d).

Follow these steps to install additional guide rail while proceeding up the ladder. Follow section 5.4 when installation of the final guide rail section is required.

Fig. 3c

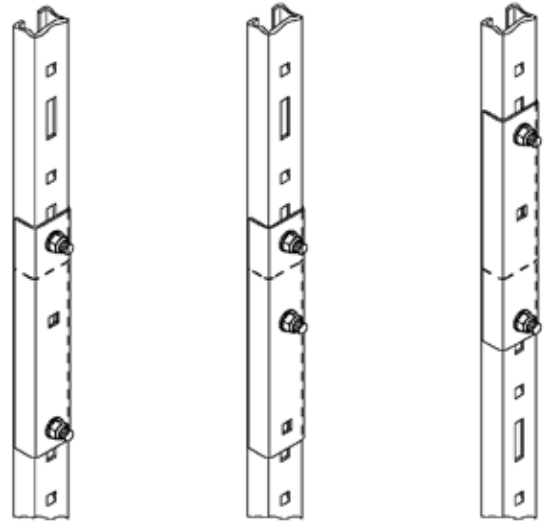
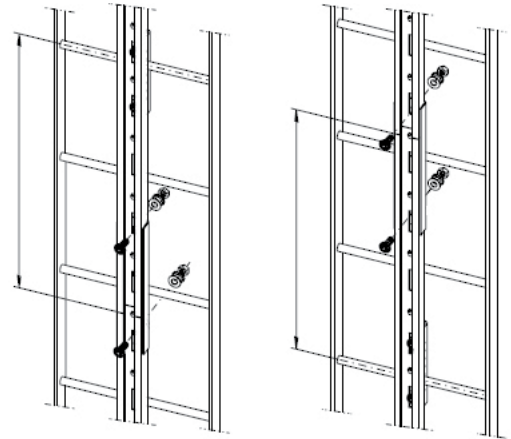


Fig. 3d



5.4 Installation of Top Guide Rail Section

The top guide rail section may be installed to end with the top of the ladder or it may extend a maximum of 36 in. (914mm) above the top ladder rung to provide for safe entry onto a platform. In either case, the top rail section of the system must be a complete 10 ft.-1 in. (3.08m) section and must be secured as specified below.

If the top guide rail is to end with the top of the ladder [a maximum of 12 in. (305mm) above the top ladder rung], one rung clamp is required on the top ladder rung (see Fig. 4a). Follow procedures for installing rung clamp.

If the top guide rail section is to extend above the ladder [a maximum of 36 in. (914mm) above the top ladder rung], three rung clamps must be installed—one on each of the top three ladder rungs (see Fig. 4b). Follow procedures for installing rung clamps.

Fig. 4a

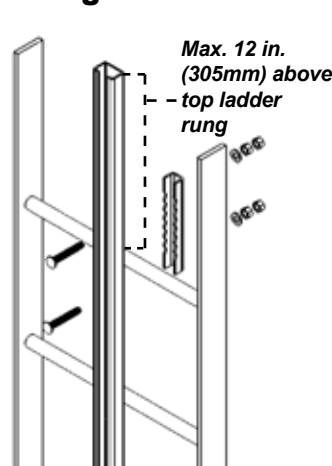
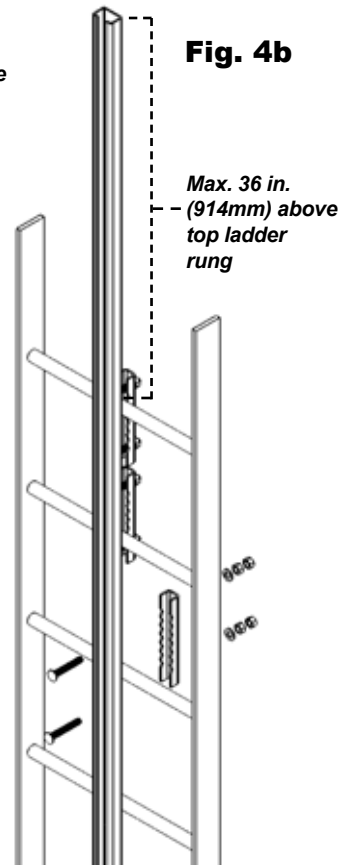
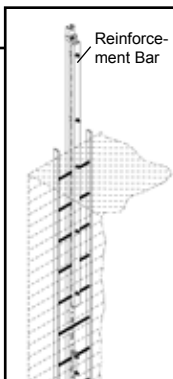


Fig. 4b



ANSI NOTE: With the top guide rail section extending above the top of the ladder, a guide rail reinforcement bar must be used to meet ANSI A14.3-08 standards. Call Honeywell Technical Service at 800-873-5242 for information on available reinforcement bars and their use.



5.5 Installation of End Stop at Top of Rail System

END STOP 26027

NOTE: The 26027 End Stop is designed for installation at the bottom and at the top of the rail system. Follow all installation specifications and instructions in section 5.2 of this manual for proper mounting.

GATED TOP END STOP 21050

1. Fix the top end stop to the back of the top guide rail section, aligning the hole in the end stop with the uppermost closed oblong hole in the guide rail (see Fig. 5). **NOTE:** The gate on the end stop must be located on the right side of the guide rail when facing the front of the system.
2. Insert bolt through the aligned holes and attach washer and nut. Tighten fastener until snug.

IMPORTANT!

After installation is complete, a final inspection of the system, ladder and structure is required.

5.6 System Options

Rigid End Stop

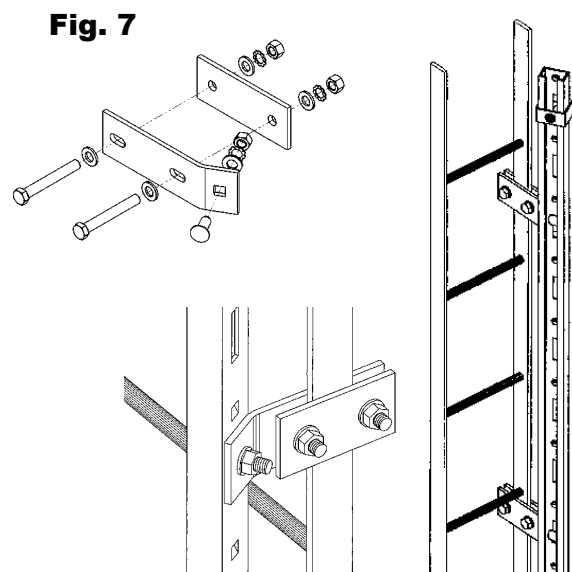
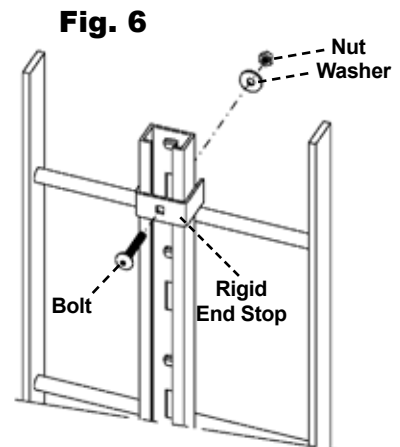
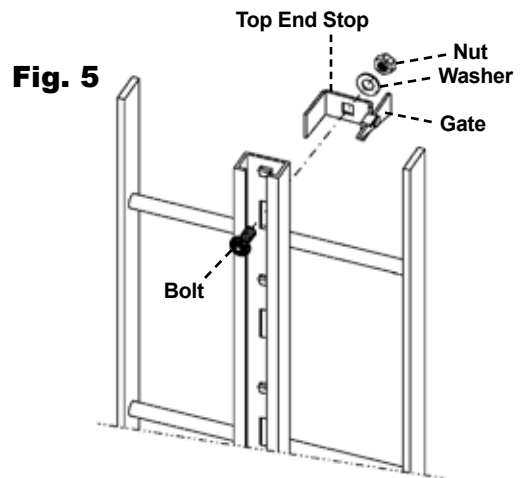
The rigid end stop may be installed at the bottom or top of the system to prevent the fall arrester from being removed.

1. Fix the rigid end stop over the front of the guide rail, aligning the hole in the end stop with the uppermost closed oblong hole in the guide rail if installing at the top of the system or with the oblong hole in the guide rail located above the second notch if installing to the bottom guide rail of the system.
2. Insert bolt through the aligned holes and attach washer and nut. Tighten fastener until snug.

Side Mount Clamp

The side mount clamp permits the guide rail to be installed on the side of a ladder with a maximum 3" (76.2mm) wide side rail. **NOTE:** Side mount clamps must be spaced a maximum of 7 ft. (2.1m) apart (from center to center) throughout the system. The same guidelines apply for side mount clamps as for rung clamps with regard to securing the top guide rail section (refer to 5.4 Installation of Top Guide Rail Section). If the top guide rail ends with the top of the ladder, one side mount clamp is required between the top two ladder rungs. If the top guide rail extends above the ladder, three side mount clamps must be installed 12 in. (304.8mm) apart with the uppermost side mount clamp located between the top two ladder rungs.

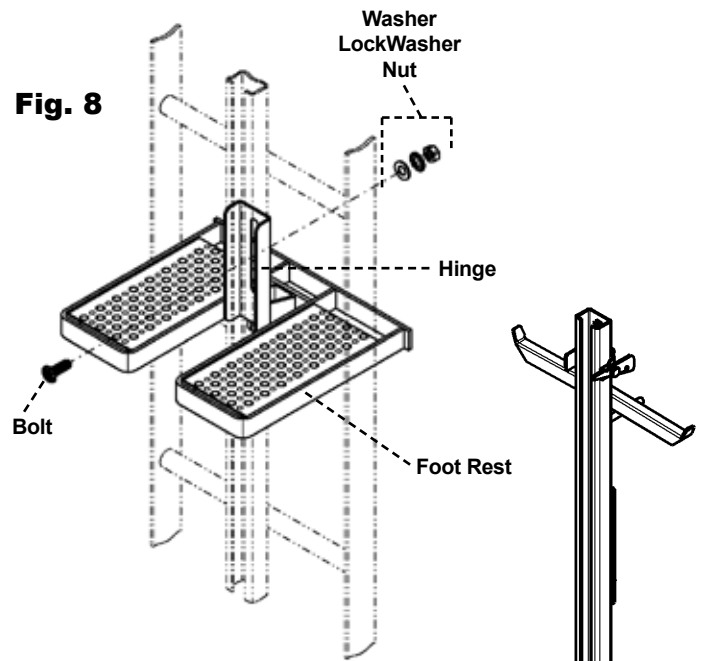
1. Install the side mount clamp by holding the two clamping plates on the side of the ladder. Note: The angled plate must face the inside and front of the ladder. Insert the bolts through the aligned holes in the clamping plates and attach the washers, lockwashers and nuts (see Fig. 7). Torque fasteners to 18.5 ft.-lbs. (25Nm).
2. Attach guide rail to the side mount clamp by aligning the hole on the angled end of the clamping plate with the oblong hole in the guide rail. Insert the bolt (front to back) through the aligned holes and attach washer, lockwasher and nut (see Fig. 7). Torque fasteners to 18.5 ft.-lbs. (25Nm).



Foldable Foot Rests

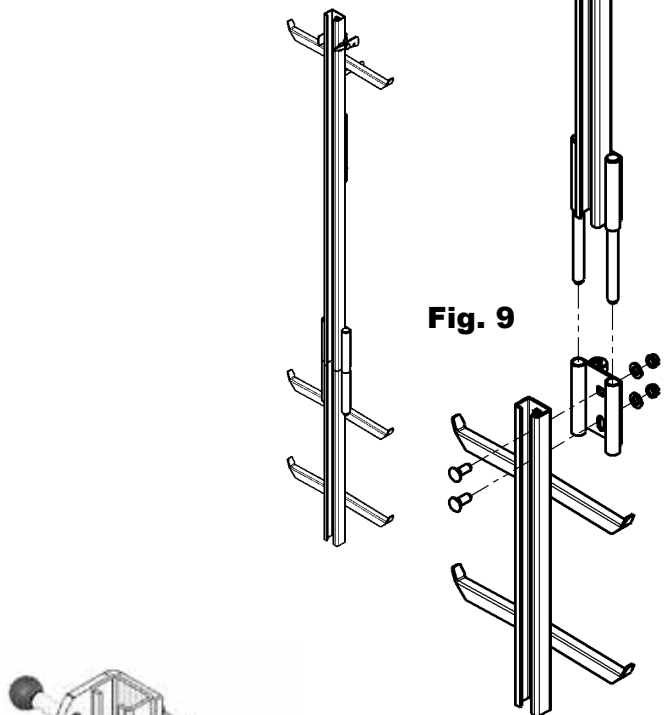
Foldable foot rests provide workers with a rest platform within the system and conveniently fold out of the way when not in use.

1. Shift the hinge over the back of the guide rail and align the holes in the foot rest hinge with the oblong hole in the rail.
2. Fix it on by inserting bolt through the aligned holes and attach washer, lockwasher and nut. Torque fastener to 18.5 ft.-lbs. (25Nm).



Shaft Entering Device with Coupling

1. Install coupling to the top of the uppermost guide rail section by aligning the holes in the coupling with the holes in the guide rail and inserting the bolts (see Fig. 9). Attach lockwashers and nuts. Torque fasteners to 18.5 ft.-lbs. (25Nm).
2. Insert shaft entering device vertically into the coupling as shown.

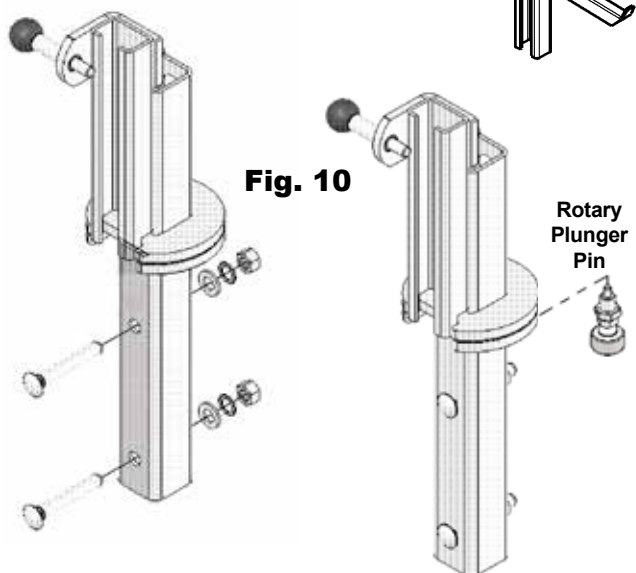


Rotary Exit

A rotary exit may be installed at the top of the system to assist users with entering and exiting the system safely. To use the rotary exit, first make sure the fall arrester is located completely in the upper rotary exit rail section. Then simply pull the rotary plunger pin (located at the back of the rotary exit) downward to release the locking mechanism and rotate the upper rotary exit rail section 180° until it locks into place.

1. Install the rotary exit to the top guide rail section by aligning the holes in the rotary exit with the holes in the guide rail and inserting the bolts. Attach flatwashers, lockwashers and nuts. Torque fasteners to 18.5 ft.-lbs. (25Nm).

NOTE: The rotary exit together with the top guide rail section must not extend more than 36 in. (914mm) past the top ladder rung. When installing the top guide rail section, reduce the rail projection by 7 in. (178mm) to allow for the rotary exit.



WARNING: The top end stop must always be present when using the rotary exit and/or ladder system.

6.0 Fall Arrester Installation

- All persons using a GlideLoc Fall Arrester must read, understand and follow the instructions contained in this manual as well as all instructions provided with the fall arrester at the time of shipment.
- Before installation, carefully inspect the fall arrester according to the manufacturer's instructions (see 9.0 Inspection and Maintenance). Do not use if there are any damaged or missing parts.
- Only one person may be secured to a fall arrester at any given time.
- Use only with GlideLoc systems.

WARNING

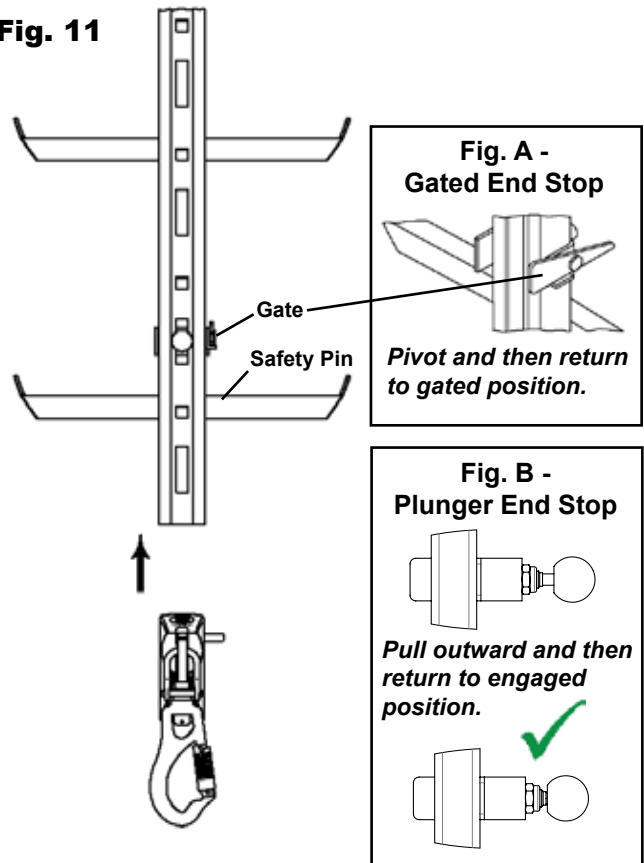
Personal fall protection must always be used in a situation where a fall hazard exists. A back-up fall arrest system is required when transitioning on and off the system at a height.

6.1 Body Control I, Comfort and Comfort² Fall Arresters



1. With the safety pin protruding from the side of the fall arrester on the right and the engraved arrow on the side of the fall arrester pointing upward, insert the fall arrester into the bottom of the rail (see Fig. 11). NOTE: Together with the gated end stop, the safety pin prevents the fall arrester from being inserted upside down and from being inadvertently disengaged from the system.
2. Pivot the gate of the end stop (see Fig. A) or pull the red plunger outward (see Fig. B) to allow the fall arrester to enter the system. Then return the end stop to its original engaged position such that it would prevent the fall arrester from disengaging from the system.

Fig. 11



6.2 Universal II Fall Arrester



For Insertion at the Bottom of the Rail

1. With the locking pin protruding from the side of the fall arrester on the right and the engraved arrow on the side of the fall arrester pointing upward, insert the fall arrester into the bottom of the rail (see Fig. 12). NOTE: Together with the gated end stop, the safety pin prevents the fall arrester from being inserted upside down and from being inadvertently disengaged from the system.
2. Pivot the gate of the end stop (see Fig. A) or pull the red plunger outward (see Fig. B) to allow the fall arrester to enter the system. Then return the end stop to its original engaged position such that it would prevent the fall arrester from disengaging from the system.

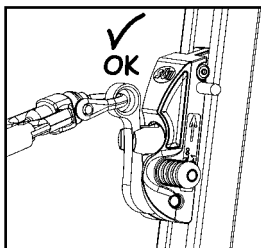
WARNING

The rollers of the locking axle must be located in the guide rail during use! You may need to push the locking axle through the housing and towards the guide rail from above.

For Insertion at any Point along the Rail

1. Pull the locking pin and fold the shock absorber out. Then turn the locking axle 90° out of the travelling position (see Fig. 13a). Insert into the guide rail.
2. Swing the fall arrester in the running direction (see Fig. 13b).
3. Push into the guide rail (see Fig. 13c).
4. Turn the locking axle (see Fig. 13d).
5. Close the shock absorber (see Fig. 13e).

Carry out a brief functional check before using.



WARNING

The rollers of the locking axle must be located in the guide rail during use! The shock absorber must engage properly. In the engaged position, the shock absorber must prevent the locking axle from twisting.

To remove the fall arrester, pull the locking pin and proceed with the installation steps in reverse order.

Fig. 12

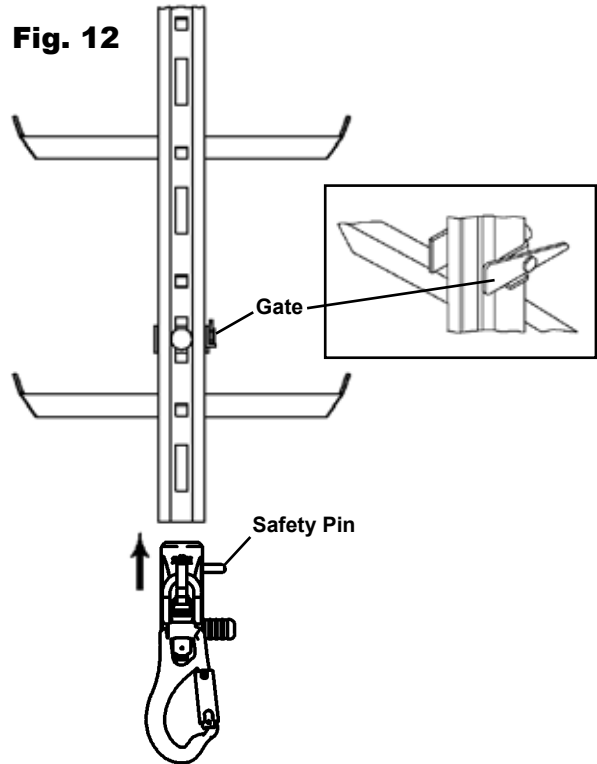


Fig. 13a

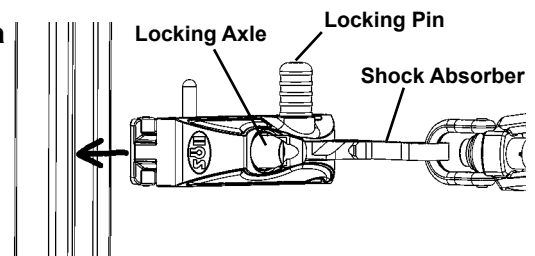


Fig. 13b

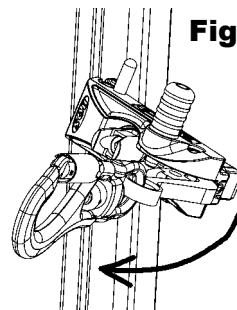


Fig. 13c

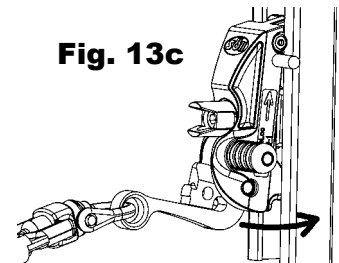


Fig. 13d

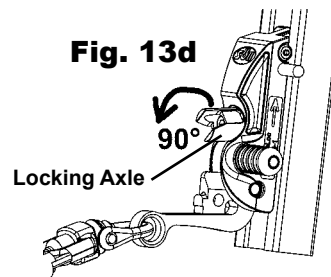
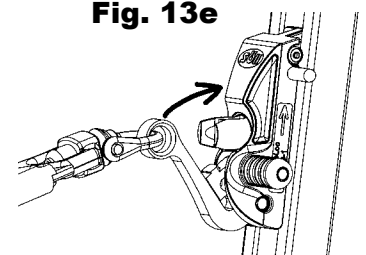


Fig. 13e



7.0 System Operation

1. Don a Miller full-body harness according to the manufacturer's instructions. Check harness to ensure that all straps are connected, buckles are secure, and harness is adjusted to provide a snug fit. [NOTE: All instructions and warnings provided with the body wear must be read and understood before using the equipment.]
2. Install the fall arrester to the guide rail, following the manufacturer's instructions.
3. Attach the fall arrester to the front attachment point, designated for ladder climbing, of the full-body harness using the auto-locking carabiner.

WARNING: The maximum length of the connector from the attachment point on the harness to the rail must not exceed 9 inches (228mm).

4. Verify that the carabiner keeper/gate is closed and locked.
5. Safely ascend and descend the ladder.

WARNING

Personal fall protection must always be used in a situation where a fall hazard exists. A back-up fall arrest system is required when transitioning on and off the system at a height.

8.0 Training

It is the responsibility of the user and the purchaser of this equipment to assure they are familiar with these instructions and are trained in the proper use, installation, operation, inspection, maintenance and limitations of this product. Training should be conducted periodically and without exposing the trainee to a fall hazard.

Training is an integral part of our Total Solution in fall protection, since no fall protection equipment – regardless of how effective – can save an employee who is not trained in its use. To meet this crucial requirement, Honeywell Training provides the knowledge and skills necessary to achieve a safe, more productive work environment. For more information on Honeywell Training, contact a representative today: 800.873.5242.

9.0 Inspection and Maintenance

The GlideLoc System is designed for today's rugged work environments. To maintain its service life and high performance, all components should be inspected frequently. Visually inspect before each use. Regular inspection by a competent person for wear, damage or corrosion should be a part of your safety program. **Replace equipment if any of the defective conditions explained in this manual are found.**

System and Fall Arrester Inspection

Before each use, visually inspect system and fall arrester for misaligned, bent, cracked, distorted, worn, malfunctioning or damaged parts; loose fasteners or missing parts/components; deterioration; corrosion; signs that indicate the product has been subjected to a fall arrest; or any other indications of damage/problems that may affect the integrity and operation of the product. Ensure that guide rail is free of dirt and debris. If in doubt, contact the manufacturer.

Ensure that the fall arrester and all its parts are functioning properly and only as intended by the manufacturer. Check for signs that the shock absorber element of the fall arrester has been deployed due to fall forces. If in doubt, contact the manufacturer.



**Activation of
Integrated Shock-
Absorbing Element**

WARNING

If inspection reveals a defect in condition or operation, or if the equipment has been subjected to the forces of arresting a fall, the equipment must be removed from service immediately!*

***IMPORTANT:** In the event of a fall, the section of rail in which the fall occurred, the rung clamps located directly above and below the fall occurrence, and the fall arrester must be removed from service. The ladder, the attachment of the ladder to the structure, and the remaining rail, rail connectors, and rung clamp assemblies must be thoroughly inspected for cracks, deformation or breakage. If the components do not pass inspection, they must be replaced. In addition, the harness must always be replaced after a fall.

Cleaning and Storage

Basic care of all Miller fall protection equipment will prolong the life of the unit and will contribute toward the performance of its vital safety function. Proper storage and maintenance after use are as important as cleansing the equipment of dirt, corrosives, or contaminants. Clean system components using a cloth dampened with water and mild soap or detergent and towel dry. Fall arresters should be removed from outside systems and stored properly after use. Storage areas should be clean, dry and free of exposure to fumes, corrosive elements, or heat sources.

Servicing

Servicing must only be carried out by a qualified person. A record log of all servicing and inspection dates for this system must be maintained. Only original Honeywell replacement parts are approved for use in this system. Contact Honeywell Technical Service at 800.873.5242 (option 4) if you have any questions.

MODE D'EMPLOI

Systèmes de protection contre les chutes ENSEMBLES DE SYSTÈME D'ASCENSION D'ÉCHELLE VERTICALE

Merci d'avoir choisi l'équipement de protection contre les chutes Honeywell Miller fabriqué par Honeywell Industrial Safety.

AVERTISSEMENT

Toutes les personnes utilisant cet équipement doivent lire, comprendre et respecter toutes les instructions. Le non-respect de cette directive peut entraîner des blessures graves ou la mort. N'utilisez pas cet équipement sans avoir reçu une formation adéquate.

Les personnes autorisées à se servir de l'équipement doivent impérativement lire et comprendre les instructions du manuel. De plus, la législation fédérale exige que les employeurs s'assurent que tous les utilisateurs sont formés à l'installation, l'utilisation, l'inspection et l'entretien adéquats des équipements de protection contre les chutes. La formation à la protection contre les chutes doit faire partie intégrante des programmes de sécurité multidisciplinaires.

L'utilisation appropriée des systèmes de protection contre les chutes peut sauver des vies et peut réduire le risque de blessures graves lors d'une chute. L'utilisateur doit être conscient que les forces subies lors de l'arrêt d'une chute ou les suspensions prolongées peuvent causer des lésions corporelles. Consultez un médecin pour toute question concernant la capacité de l'utilisateur à utiliser ce produit. Les femmes enceintes et les jeunes enfants ne doivent pas utiliser ce produit.

1.0 Objectif

L'ensemble du système d'ascension d'échelle verticale en hauteur GlideLoc® a été conçu pour une installation permanente sur des échelles verticales fixes existantes. Il permet aux ouvriers de bénéficier d'une meilleure manœuvrabilité et d'être mieux protégés contre les chutes dans les applications exigeant l'ascension d'une échelle. Il est idéal pour les éoliennes, les structures de télécommunication et de services publiques, les installations industrielles, les plateformes pétrolières et tours de forage, la construction navale, les grues et les espaces confinés. Le système GlideLoc System répond aux exigences et normes locales.

2.0 Exigences générales, mises en garde et limitations

2.1 Mises en garde relatives à la protection contre les chutes

Toutes les mises en garde et instructions doivent être fournies aux personnes et utilisateurs autorisés. Ces personnes doivent lire et comprendre ces mises en garde et instructions avant d'utiliser l'équipement.

Tous les utilisateurs et toutes les personnes autorisés doivent consulter les règlements en vigueur relatifs à la sécurité au travail, ainsi que les normes applicables (ANSI ou CSA).

Veillez à toujours enlever les obstacles, débris, matériaux ou autres sources de dangers imminents de l'aire de travail, susceptibles de causer des blessures ou d'entraver le bon fonctionnement du système.

Tous les équipements doivent être inspectés avant chaque utilisation selon les instructions du fabricant.

Une personne qualifiée doit inspecter régulièrement l'équipement dans son intégralité.

Pour minimiser le risque de désengagement accidentel, une personne compétente doit assurer la compatibilité du système. L'équipement ne doit en aucun cas être modifié. Toute réparation doit être effectuée par le fabricant de l'équipement ou par des personnes ou des entités autorisées par le fabricant, par écrit.

Tout produit présentant des déformations, une usure anormale ou des détériorations doit être immédiatement mis au rebut.

N'utilisez pas l'unité ou une pièce du système qui semble endommagée.

Tout équipement ayant servi à l'arrêt d'une chute doit être retiré du service. (Reportez-vous à la section 9.0 Inspection et maintenance.)

L'utilisateur doit disposer d'un plan de sauvetage et des moyens nécessaires à sa mise en œuvre lors de l'utilisation de l'équipement.

N'utilisez jamais l'équipement de protection contre les chutes à d'autres fins que celles prévues. Cet équipement ne doit jamais être utilisé pour remorquer ou soulever des charges.

N'enlevez jamais les étiquettes du produit. Elles comportent des renseignements et des mises en garde importants pour les personnes et utilisateurs autorisés.

2.2 Mises en garde et limitations relatives au système

Compatibilité du système

Les ensembles GlideLoc doivent être utilisés uniquement avec les composants approuvés par Honeywell. La substitution ou le remplacement d'une pièce par un composant non approuvé, dans une combinaison d'éléments ou un sous-système (ou les deux), peuvent affecter ou entraver le bon fonctionnement, en toute sécurité, des composants entre eux et compromettre la compatibilité avec le système. Cette incompatibilité peut compromettre la fiabilité et la sécurité du système entier.

Les ensembles GlideLoc doivent être utilisés en association avec le dispositif antichute Body Control I GlideLoc avec mousqueton à verrouillage automatique, le dispositif antichute Comfort GlideLoc avec mousqueton à verrouillage automatique, le dispositif antichute Comfort² GlideLoc avec mousqueton à verrouillage automatique ou le dispositif antichute Universal II Glideloc avec mousqueton à verrouillage automatique et un baudrier complet Miller équipé d'un point d'attache frontal conçu pour l'ascension des échelles.

(REMARQUE : l'utilisateur doit impérativement lire et comprendre toutes les instructions et les mises en garde fournies avec le dispositif antichute et le baudrier avant d'utiliser l'équipement.)

Capacité du système

Le système GlideLoc peut supporter plusieurs utilisateurs, dans la mesure où la portance de la structure de base, de l'échelle et de l'accessoire de l'échelle est adaptée. Une (1) seule personne est autorisée sur chaque section de rail de guidage. Une distance minimale de 7 pi (2,1 m) entre chaque utilisateur doit être respectée pour éviter que la victime d'une chute heurte l'utilisateur en dessous d'elle. Conformément à la norme ANSI A14.3, quatre (4) personnes, au maximum, sont autorisées sur chaque système.

Dégagement

Assurez-vous que la trajectoire est dégagée, en cas de chute, pour éviter de heurter une plateforme située en contrebas, un objet ou un autre utilisateur.

Capacité du dispositif antichute

Les dispositifs antichute ne doivent être utilisés que par une seule personne. La capacité maximale est de 310 lb (140,6 kg). **N'EXCÉDEZ PAS CE POIDS.**

Risques environnementaux

L'utilisation de cet équipement dans une zone présentant des risques environnementaux peut nécessiter des précautions supplémentaires pour limiter les risques de blessure corporelle ou de dommage matériel. Les risques peuvent inclure, sans toutefois s'y limiter, les températures extrêmes, les produits chimiques caustiques, les environnements corrosifs, les lignes haute tension, les gaz explosifs ou toxiques, les machines mobiles et les bords tranchants. N'exposez pas l'équipement à un risque contre-indiqué. En cas de doute, consultez le fabricant.

- Le rail de guidage ne doit pas comporter de poussière, de résidu de mortier et d'autres substances.
- L'utilisation de ce système est contre-indiquée lorsque l'utilisateur se trouve sur une surface instable, un sol à grains fins ou des matières particulaires.

3.0 Exigences relatives au système

Avant d'installer un ensemble GlideLoc, la structure et l'échelle sur lesquelles le système doit être installé doivent être certifiées : elles doivent pouvoir supporter les charges potentielles susceptibles de s'appliquer en cas d'arrêt de chute et doivent satisfaire aux exigences spécifiques relatives aux échelles.

Exigences relatives aux échelles

Pour les ensembles, l'échelle doit correspondre à une échelle fixe équipée de barreaux dont les diamètres extérieurs mesurent entre 3/4 po (19,1 mm) et 1-1/4 po (31,8 mm). Pour les barreaux au diamètre plus large, des attaches de fixation plus longues sont disponibles. Elles sont adaptées aux barreaux mesurant jusqu'à 1-3/4 po (44,5 mm).

Conformément à la norme ANSI A14.3, l'échelle doit mesurer, au minimum, 16 po (406,4 mm) de large (distance entre les faces intérieures des barreaux).

Pour obtenir de plus amples informations et de l'aide pour l'installation sur des barreaux d'échelle non conformes, veuillez contacter le service technique de Miller au 800-873-5242.

L'amortisseur intégré des dispositifs antichute Body Control I, Comfort, Comfort² et Universal II limite les forces d'arrêt de chute à 1 350 lbf (6 kN). Il s'agit de la force maximale pour un système d'échelle, pour un seul utilisateur.

Pour calculer la charge d'utilisation maximale d'un système d'échelle pour plusieurs utilisateurs, il convient d'utiliser la formule suivante :

Charge d'utilisation de l'échelle = (Force d'arrêt de chute + (Nombre maximum d'utilisateurs – 1 x Poids de l'ouvrier))

Exemple : pour une échelle adaptée à 4 utilisateurs de 250 lbf chacun :

$$\begin{aligned} \text{Charge d'utilisation de l'échelle} &= (1\,350 \text{ lbf} + (3 \times 250 \text{ lbf})) \\ &= 2\,100 \text{ lbf} \text{ Charge d'utilisation} \\ &\text{de l'échelle} \end{aligned}$$

Pour calculer la charge d'utilisation maximale d'un barreau d'échelle seul pour plusieurs utilisateurs, il convient d'utiliser la formule suivante :

$$\begin{aligned} \text{Charge d'utilisation du barreau d'échelle} &= \\ & \frac{(\text{Force d'arrêt de chute} + (\text{Nombre maximum d'utilisateurs} - 1 \times \\ & \text{Poids de l'ouvrier}))}{\text{Nombre d'attaches de fixation}} \end{aligned}$$

Exemple : pour une échelle adaptée à 4 utilisateurs de 250 lbf chacun sur un système GS0040 :

$$\begin{aligned} \text{Charge d'utilisation du barreau d'échelle} &= \frac{(1\,350 \text{ lbf} + (3 \times 250 \text{ lbf}))}{7} \\ &= 300 \text{ lbf par barreau} \end{aligned}$$

REMARQUES IMPORTANTES :

1. La charge d'utilisation **N'INCLUT PAS DE FACTEUR DE SÉCURITÉ.**
2. Les normes spécifiques de conformité des échelles peuvent varier et doivent être utilisées, si nécessaire, pour définir les exigences relatives à la force applicable aux barreaux, ainsi que les facteurs de sécurité.
3. Le dispositif antichute limite la force d'arrêt de chute maximale. Celle-ci est inférieure à 1 350 lbf (6 kN). Il s'agit de la force maximale pour un système d'échelle, pour un seul utilisateur.

4.0 Description des composants du système

4.1 Ensemble du système GlideLoc

1) Butées 12 kN

- À utiliser en haut ou en bas du système de rail.
- Évite une mauvaise insertion du dispositif antichute et le désengagement accidentel du dispositif antichute du rail.

2) Rail de guidage avec connecteur de rail

- S'installe facilement sur les échelles fixes verticales équipées de barreaux aux diamètres et intervalles variés.
- Des marquages permettent d'identifier l'extrémité supérieure du rail, pour éviter une mauvaise installation.
- Le connecteur de rail permet de connecter deux sections de rail de guidage.
- Les sections de rails sont disponibles par incréments de 10 pi-1 po (3,08 m), en acier galvanisé, en acier inoxydable et en aluminium.

3) Dispositif antichute Body Control I, Comfort ou Comfort²

- *Dispositif antichute vendu séparément.*
- Modèle en aluminium et en acier inoxydable durable (Body Control I/Comfort) ou entièrement en acier inoxydable pour une résistance maximale à la corrosion (Comfort²).
- Installation rapide et facile, utilisation à une main.
- La goupille de sécurité qui ressort, sur le côté du dispositif antichute, et la butée empêchent la mauvaise insertion du dispositif antichute dans le rail.
- Permet une ascension en mains libres, en se penchant ou non vers l'arrière.
- Verrouillage rapide en cas de chute.
- Amortisseur de chocs/indicateur de chute intégré qui limite les forces d'arrêt de chute à 1 350 lbf (6 kN) et facilite l'inspection.

OU

Dispositif antichute Universal II

- *Dispositif antichute vendu séparément.*
- Modèle entièrement en acier inoxydable pour une résistance maximale à la corrosion.
- Peut être inséré ou retiré n'importe où le long du rail de guidage.
- Installation rapide et facile, utilisation à une main.
- Système à sécurité intégrée pour garantir une utilisation correcte.
- Permet une ascension en mains libres.
- Verrouillage rapide en cas de chute.
- Amortisseur de chocs/indicateur de chute intégré qui limite les forces d'arrêt de chute à 1 350 lbf (6 kN) et facilite l'inspection.

4) Attache de fixation de barreau

- Fixe le rail de guidage aux barreaux de l'échelle.
- Disponible en acier galvanisé, en acier inoxydable et en aluminium.

4.2 Pièces de rechange du système Voir l'annexe A.

5.0 Installation du système

- Avant l'installation, inspectez minutieusement tous les composants du système conformément aux instructions du fabricant (reportez-vous à la section « 9.0 Inspection et maintenance »). N'utilisez pas le dispositif s'il semble endommagé ou s'il manque des pièces. (reportez-vous à la section « 4.2 Pièces de rechange du système »).
- Assurez-vous que la structure/l'échelle sur laquelle l'ensemble GlideLoc doit être installé peut supporter des charges résultant d'une chute (consultez la section « 3.0 Exigences relatives au système »).
- Les sections du rail de guidage ne doivent pas comporter de poussière, de résidu de mortier et d'autres substances avant l'installation.
- Lors de l'installation des composants sur le système, les boulons doivent être insérés de l'avant du système vers l'arrière, pour garantir le bon fonctionnement du dispositif antichute sur le rail.
- Utilisez uniquement les composants et les pièces de fixation Miller approuvés pour ce système. N'utilisez pas de pièces de substitution.

AVERTISSEMENT

Un dispositif de protection antichute personnel auxiliaire est requis pendant l'installation. Les personnes installant le système doivent faire preuve de précaution et ne doivent pas être exposées à des risques de chute pendant la procédure d'installation. Ne raccordez le dispositif à aucun composant partiellement installé sur le système.

Vue d'ensemble de l'installation du système: Le système GlideLoc peut être installé depuis le bas de l'échelle, vers le haut, ou depuis le haut, vers le bas. Il convient de tenir compte de la longueur du système, de l'application pour laquelle l'échelle est utilisée, des systèmes d'échafaudage disponibles, des exigences relatives au rail haut, etc.

Exigences relatives au rail du haut : la section de rail du haut doit correspondre à une section complète de 10 pi-1 po (3,08 m). La section de rail du haut ne doit pas dépasser le dernier barreau en haut de l'échelle de plus de 36 po (914 mm). Il est conseillé de modifier ou de couper la section de rail du bas pour satisfaire ces exigences. Par conséquent, s'il n'est pas possible d'identifier, par des mesures ou des calculs, si la section de rail du haut répond à ces exigences, en raison de la longueur de l'échelle et du système, il peut être nécessaire d'installer le système depuis le haut de l'échelle, vers le bas, pour garantir le respect des normes de conformité.

Outils requis pour l'installation: outils de 3/4 po et 11/16 po ou 19 mm et 17 mm pour la plupart du matériel.

5.1 Installation de la section de rail de guidage du bas sur l'échelle à l'aide des attaches de fixation

IMPORTANT : pour éviter une mauvaise installation du rail de guidage sur l'échelle, toutes les sections de rail sont marquées d'une bande en plastique rouge, sur le haut du rail, et d'une flèche, placée directement sous le trou rectangulaire du haut (fig. 1a). Pendant l'installation, la flèche doit toujours être dirigée vers le haut. En outre, l'avant du rail de guidage (là où le dispositif antichute glisse) doit être tourné vers l'extérieur, sur l'avant de l'échelle.

REMARQUE : les attaches de fixation ne doivent pas être espacées de plus de 7 pi (2,1 m) (de centre à centre, voir fig. 1b) sur tout le système. N'installez jamais de système comportant moins de quatre (4) attaches de fixation.

1. Placez l'arrière de la section du rail de guidage à plat contre les barreaux, à la hauteur souhaitée, et maintenez-les en place.
2. Installez l'attache de fixation en plaçant les mâchoires de serrage sur un barreau et en alignant les trous de l'attache de fixation avec les trous rectangulaires du rail de guidage. Insérez le premier boulon dans les trous alignés, au-dessus du barreau, puis fixez la rondelle et l'écrou. Vissez ensuite un deuxième écrou. Utilisez-le pour bien bloquer le premier écrou (fig. 1c. *Remarque : pour les attaches de fixation de barreau en acier inoxydable et en aluminium, une rondelle et un écrou autofreiné sont utilisés.*). Insérez un deuxième boulon dans les trous alignés, sous le barreau et, comme précédemment, fixez le tout avec une rondelle et deux écrous. Serrez les pièces de fixation à un couple de 18,5 pi-lb (25 Nm).

Appliquez la même procédure pour l'installation des autres attaches de fixation de barreau, en veillant à ce que les attaches soient espacées conformément aux spécifications.

Fig. 1a

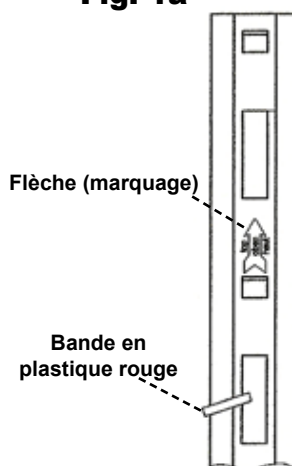


Fig. 1b

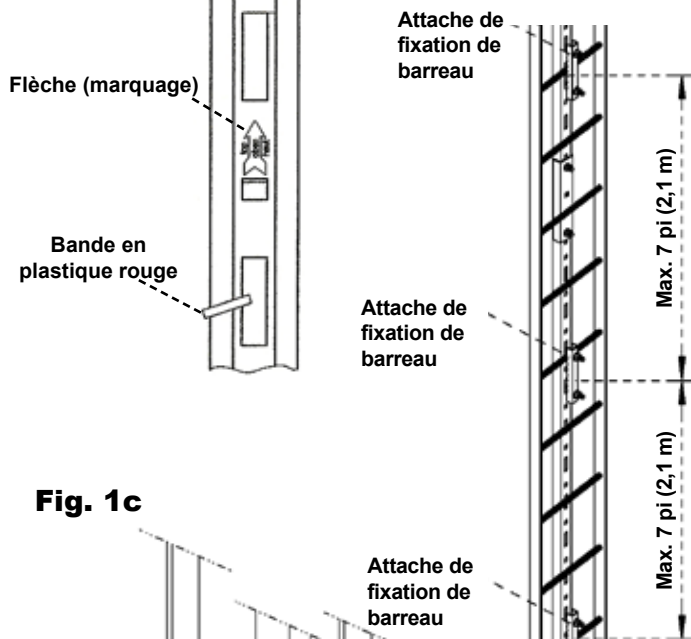
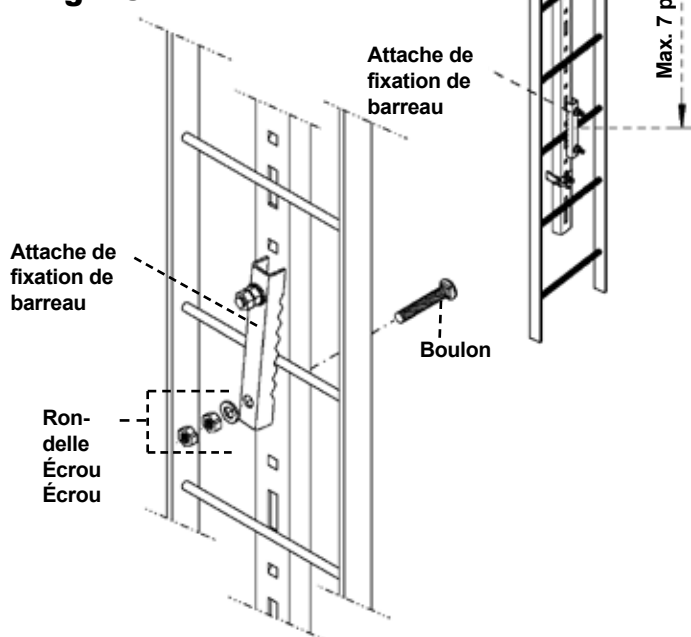


Fig. 1c



5.2 Installation de la butée sur le bas du système de rail

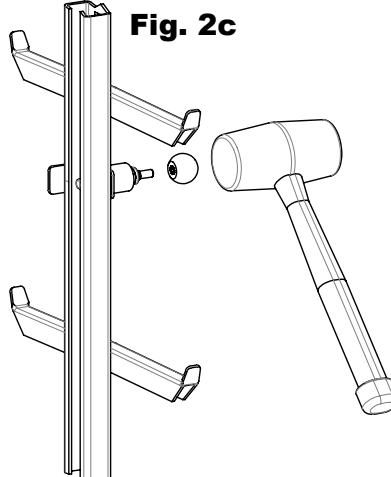
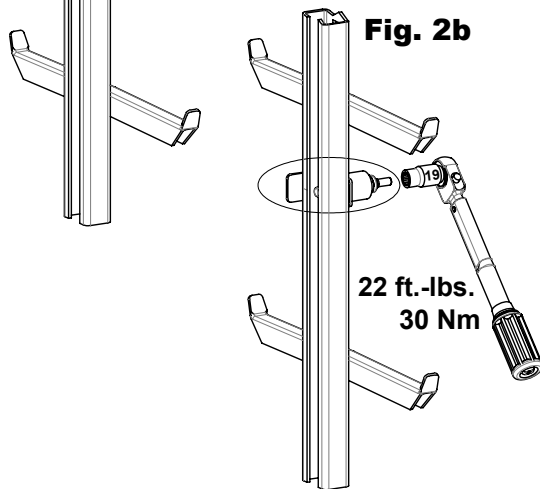
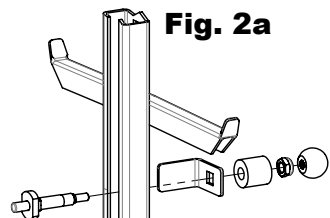
BUTÉE 26027

REMARQUE : la butée 26027 est conçue pour être installée en bas et en haut du système de rail. Pour garantir une installation correcte, respectez toutes les spécifications et les instructions d'installation.

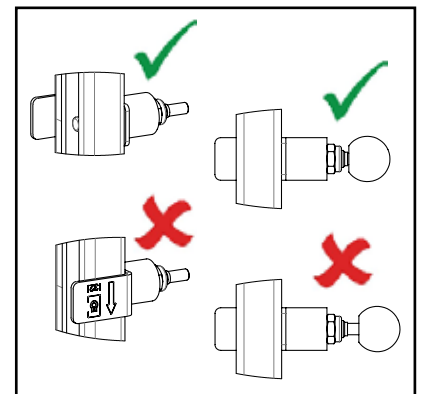
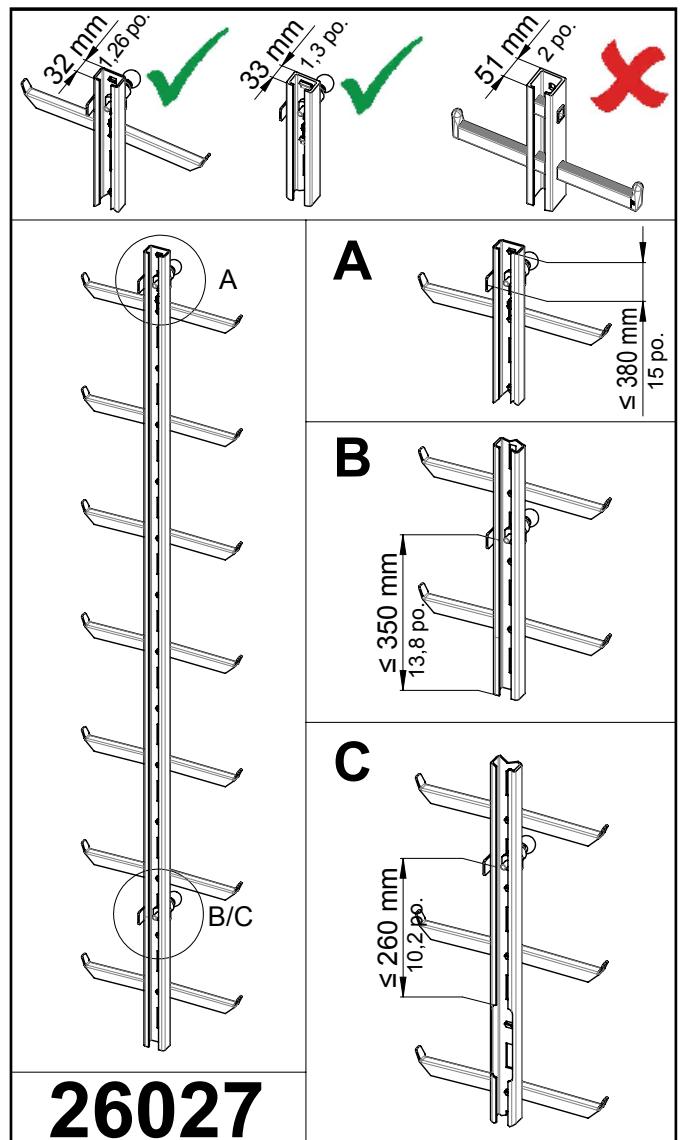
1. Fixez la butée à l'arrière de la section de rail de guidage du bas, en alignant, en mettant dans l'ordre et en assemblant les composants de la butée comme sur l'illustration (fig. 2a), dans le trou rectangulaire du rail de guidage (reportez-vous à la section « Spécifications pour l'installation » pour connaître l'emplacement de la butée par rapport à l'extrémité inférieure et supérieure du système de rail).
2. À l'aide d'une clé dynamométrique de 19 mm, serrez l'écrou à 22 pi-lb (30 Nm) (fig. 2b).
3. Installez le piston rouge sur l'extrémité de la tige à l'aide du maillet en caoutchouc (fig. 2c).

AVERTISSEMENT : pour éviter toute mauvaise insertion du dispositif antichute dans le rail de guidage, il convient d'installer la butée inférieure avant d'installer le dispositif.

IMPORTANT : si l'échelle n'est pas montée au niveau du sol, une deuxième butée inférieure doit être installée (fig. 2e). La deuxième butée inférieure doit être placée à environ 5 pi (1,5 m) du bas du rail. Cela permet de renforcer la sécurité de l'ouvrier lorsqu'il descend.



SPÉCIFICATIONS POUR L'INSTALLATION



BUTÉE INFÉRIEURE FERMÉE 21049 (BAS)

1. Placez la butée inférieure à l'arrière de la section de rail de guidage du bas, en alignant le trou de la butée avec le trou rectangulaire du rail, situé au-dessus du deuxième cran (fig. 2b). REMARQUE : la fermeture de la butée doit se trouver sur le côté droit du rail de guidage, lorsque vous faites face à l'avant du système.
2. Insérez le boulon (de l'avant à l'arrière) dans les trous alignés, puis insérez la rondelle et l'écrou. Serrez fermement les pièces d'attache.

AVERTISSEMENT : pour éviter toute mauvaise insertion du dispositif antichute dans le rail de guidage, il convient d'installer la butée inférieure avant d'installer le dispositif.

IMPORTANT : si l'échelle n'est pas montée au niveau du sol, une deuxième butée inférieure doit être installée (fig. 2e). La deuxième butée inférieure doit être placée à environ 5 pi (1,5 m) du bas du rail. Cela permet de renforcer la sécurité de l'ouvrier lorsqu'il descend.

5.3 Installation d'autres sections de rail de guidage

1. Retirez le boulon supérieur du connecteur de rail, le cas échéant.
2. Pour installer un rail de guidage, posez la section de rail suivante contre l'échelle et insérez-la verticalement dans la section de rail précédemment installée (fig. 3a).

REMARQUE : lorsque la température ambiante est positive, l'espace minimum entre les sections de rail de guidage est de 1/16 po (2 mm). Lorsque la température ambiante est négative, l'espace minimum entre les sections est de 2/16 po (3 mm). L'espace maximum entre les sections ne doit pas dépasser 3/16 po (5 mm), quelle que soit la température.

3. Insérez le boulon supérieur dans la section de rail ajoutée et le connecteur de rail et insérez la rondelle, la rondelle-frein et l'écrou. (REMARQUE : ne serrez l'écrou que lorsque la section de rail ajoutée est alignée avec la section inférieure et qu'au moins une attache de fixation de barre de la section supérieure a été installée.)
4. Fixez la section de rail de guidage supplémentaire à l'aide des attaches de fixation de barre. Répétez l'étape 2 de la section 5.1.
5. Serrez les pièces de fixation du connecteur de rail à un couple de 18,5 pi-lb (25 Nm).

AVERTISSEMENT : les boulons préassemblés par le fabricant doivent également être serrés selon les spécifications de couple requises.

6. Vous pouvez alors couper la bande en plastique rouge sur la section de rail de guidage inférieure.

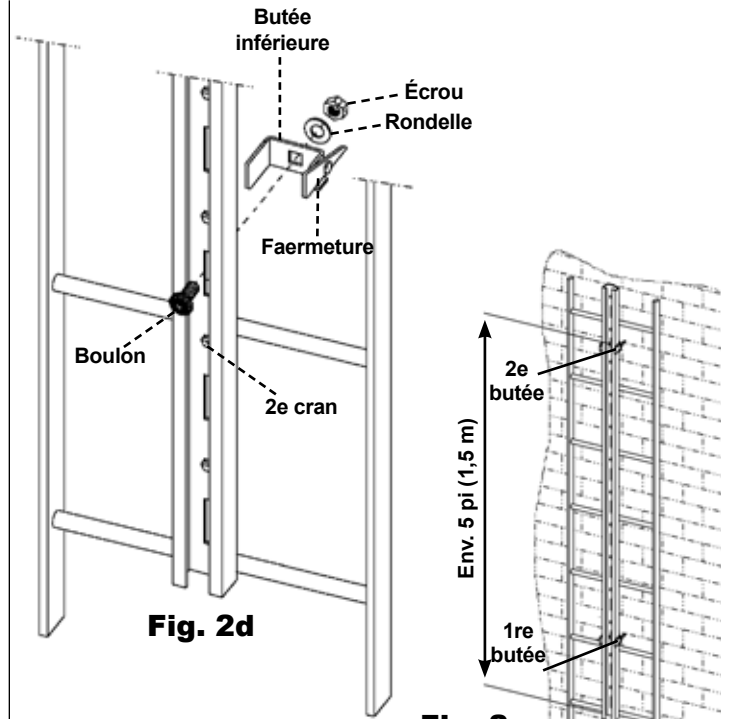


Fig. 2d

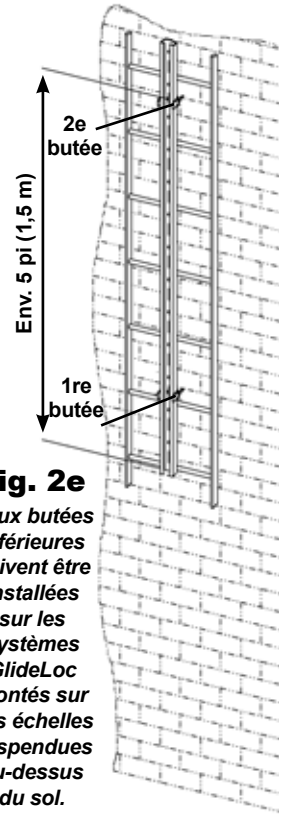


Fig. 2e

Deux butées inférieures doivent être installées sur les systèmes GlideLoc montés sur des échelles suspendues au-dessus du sol.

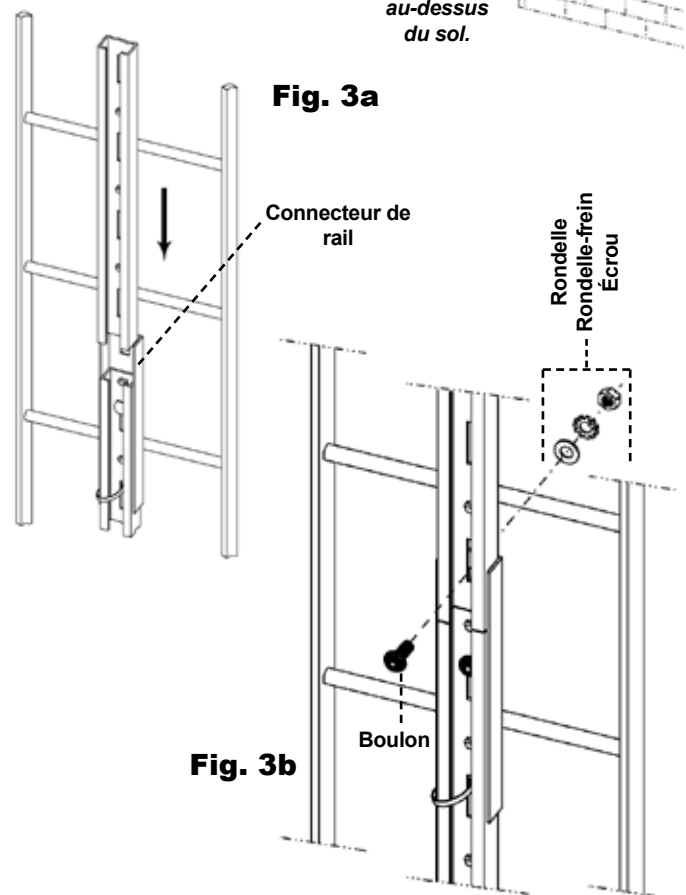


Fig. 3a

Fig. 3b

Si les barreaux de l'échelle gênent le raccordement de deux sections de rail de guidage, vous pouvez assembler ces sections avec des boulons en utilisant les trous alternatifs du connecteur de rail (fig. 3c). Dans ce cas, le rail de guidage doit être fixé sur le côté long du connecteur de rail, à une distance maximale de 22 po (560 mm) de la jointure (là où l'attache de fixation de barreau est installée sur le barreau) (fig. 3d).

Répétez cette procédure pour installer les sections de rail de guidage supplémentaires jusqu'en haut de l'échelle. Reportez-vous à la section 5.4 pour l'installation de la dernière section du rail de guidage.

5.4 Installation de la section de rail de guidage du haut

La section de rail de guidage supérieure doit être installée à l'extrémité en haut de l'échelle ou jusqu'à 36 po (914 mm), au maximum, au-dessus du dernier barreau, afin de garantir l'accès sécurisé à la plateforme. Dans tous les cas, la section de rail en haut du système doit correspondre à une section complète de 10 pi - 1 po (3,08 m) et doit être fixée conformément aux spécifications ci-après.

Si le rail de guidage du haut doit se terminer au niveau du haut de l'échelle (maximum 12 po / 305 mm au-dessus du dernier barreau), une attache de fixation de barreau doit être installée sur le dernier barreau (fig. 4a). Reportez-vous à la procédure d'installation des attaches de fixation de barreau.

Si la section de rail de guidage du haut doit se prolonger au-dessus de l'échelle (maximum 36 po / 914 mm au-dessus du dernier barreau), trois attaches de fixation de barreau doivent être installées (une sur chacun des trois derniers barreaux en haut de l'échelle) (fig. 4b). Reportez-vous à la procédure d'installation des attaches de fixation de barreau.

REMARQUE ANSI : lorsque la section de rail de guidage du haut s'étend au-delà du haut de l'échelle, une barre de renfort du rail doit être installée, conformément aux normes ANSI A14.3-08. Pour de plus amples informations concernant les barres de renfort et leur utilisation, contactez le service technique Honeywell au 800-873-5242.

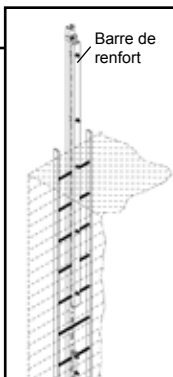


Fig. 3c

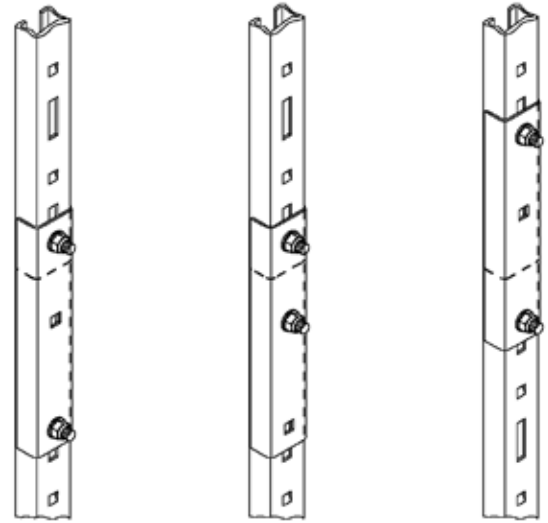


Fig. 3d

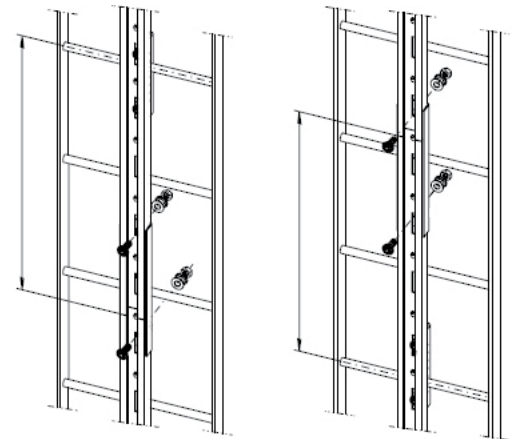


Fig. 4a

Max. 12 po
(305 mm) au-
dessus du dernier
barreau en haut de
l'échelle

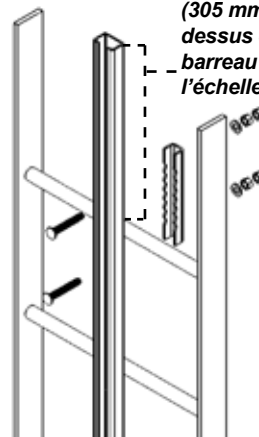
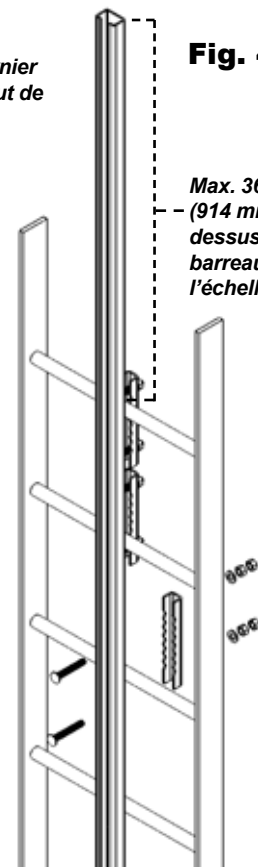


Fig. 4b

Max. 36 po
(914 mm) au-
dessus du dernier
barreau en haut de
l'échelle



5.5 Installation de la butée sur le haut du système de rail

BUTÉE 26027

REMARQUE : la butée 26027 est conçue pour être installée en bas et en haut du système de rail. Pour garantir une installation correcte, respectez toutes les spécifications et instructions d'installation de la section 5.2 du présent manuel.

BUTÉE SUPÉRIEURE FERMÉE 21050 (HAUT)

1. Placez la butée supérieure à l'arrière de la section de rail de guidage du haut, en alignant le trou de la butée avec le trou rectangulaire refermé le plus en haut du rail de guidage (fig. 5). **REMARQUE :** la fermeture de la butée doit se trouver sur le côté droit du rail de guidage, lorsque vous faites face à l'avant du système.
2. Insérez le boulon dans les trous alignés, puis insérez la rondelle et l'écrou. Serrez fermement les pièces d'attache.

IMPORTANT!

Une fois l'installation terminée, procédez impérativement à l'inspection finale du système, de l'échelle et de la structure.

5.6 Options du système

Butée rigide

La butée rigide peut être installée en bas ou en haut du système pour empêcher le retrait du dispositif antichute.

1. Fixez la butée rigide sur l'avant du rail de guidage en alignant le trou de la butée avec le trou rectangulaire refermé le plus en haut du rail, si vous l'installez en haut du système. Si vous installez la butée rigide en bas du système, alignez-la avec le trou rectangulaire du rail qui se trouve au-dessus du deuxième cran.
2. Insérez le boulon dans les trous alignés, puis insérez la rondelle et l'écrou. Serrez fermement les pièces d'attache.

Bride de fixation latérale

La bride de fixation latérale permet d'installer le rail de guidage sur le côté de l'échelle, avec un rail latéral de 3 po (76,2 mm) de large maximum. **REMARQUE :** les brides de fixation latérales ne doivent pas être espacées de plus de 7 pi (2,1 m) (de centre à centre) sur tout le système. Les consignes de fixation de la section de rail de guidage du haut applicables aux attaches de fixation de barreau sont également valables pour les brides de fixation latérales (reportez-vous à la section « 5.4 Installation de la section de rail de guidage du haut »). Si le rail de guidage du haut doit se terminer en haut de l'échelle, une bride de fixation latérale doit être installée entre les deux derniers barreaux, en haut de l'échelle. Si le rail de guidage du haut s'étend au-dessus de l'échelle, trois brides de fixation latérales doivent être installées, à 12 po (304,8 mm) d'intervalle. La bride de fixation latérale la plus en haut doit être placée entre les deux derniers barreaux en haut de l'échelle.

1. Installez la bride de fixation latérale en maintenant les deux plaques de fixation sur le côté de l'échelle. Remarque : la plaque inclinée doit être tournée vers l'intérieur et vers l'avant de l'échelle. Insérez les boulons dans les trous alignés des plaques de fixation et insérez les rondelles, les rondelles-freins et les écrous (fig. 7). Serrez les pièces de fixation à un couple de 18,5 pi-lb (25 Nm).
2. Fixez le rail de guidage sur la bride de fixation latérale en alignant le trou de l'extrémité inclinée de la plaque de fixation avec le trou rectangulaire du rail de guidage. Insérez le boulon (de l'avant vers l'arrière) dans les trous alignés, puis insérez la rondelle, la rondelle-frein et l'écrou (fig. 7). Serrez les pièces de fixation à un couple de 18,5 pi-lb (25 Nm).

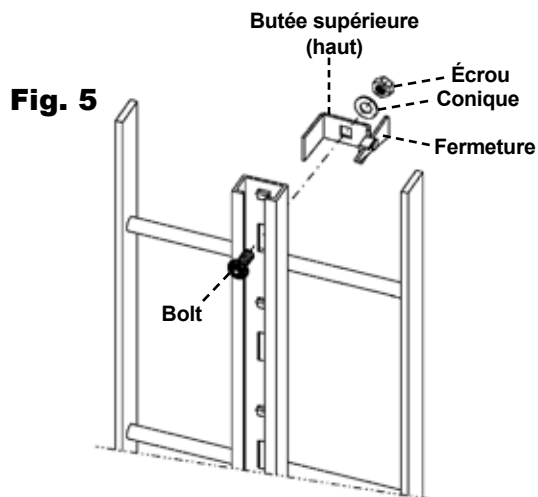


Fig. 5

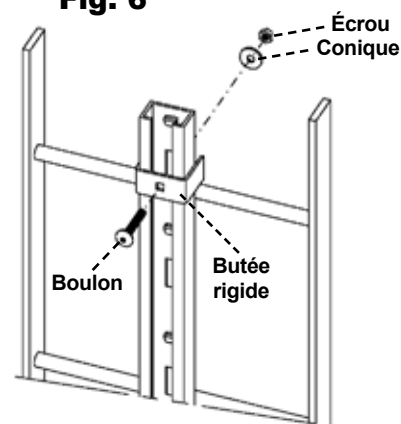
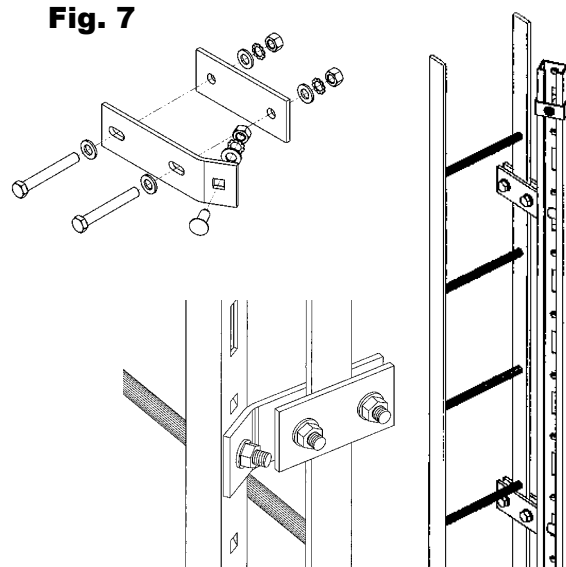


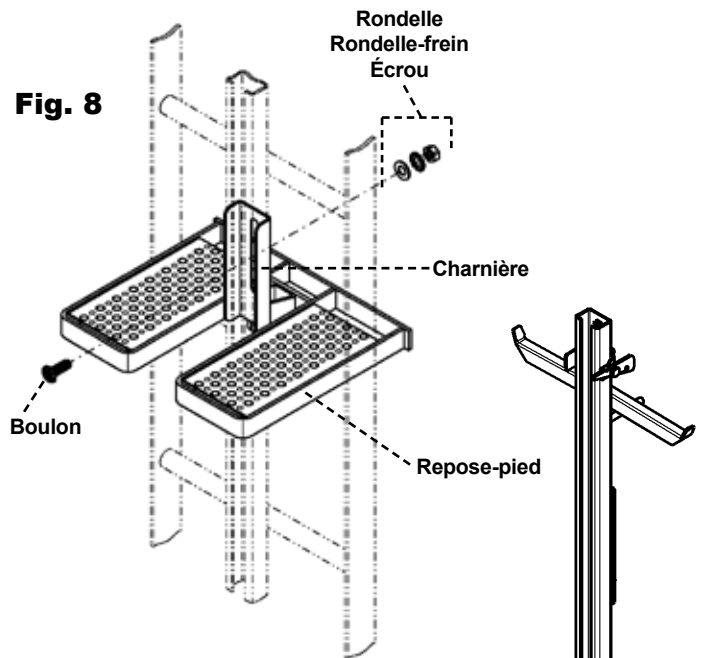
Fig. 6



Repose-pieds pliables

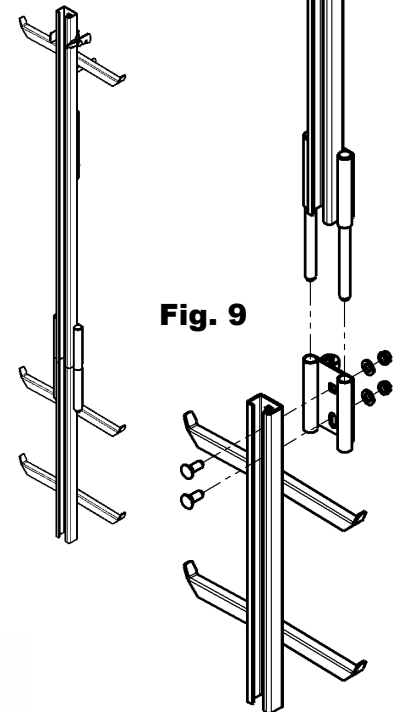
Les repose-pieds pliables constituent un point d'appui pratique pour les ouvriers. Lorsqu'ils ne les utilisent pas, ils peuvent les replier pour ne pas gêner les opérations.

1. Faites glisser la charnière vers l'arrière du rail de guidage et alignez les trous de la charnière du repose-pied avec le trou rectangulaire du rail.
2. Fixez-le en insérant le boulon dans les trous alignés, puis insérez la rondelle, la rondelle-frein et l'écrou. Serrez la pièce de fixation à un couple de 18,5 pi-lb (25 Nm).



Dispositif d'accès à un conduit avec manchon d'accouplement

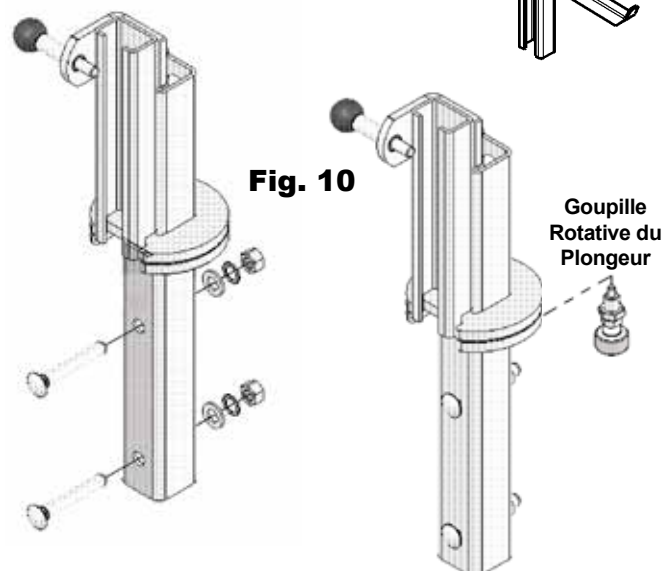
1. Installez le manchon d'accouplement sur le dessus de la section de rail de guidage la plus en haut, en alignant les trous du manchon avec les trous du rail, puis insérez les boulons (fig. 9). Insérez les rondelles-frein et les écrous. Serrez les pièces de fixation à un couple de 18,5 pi-lb (25 Nm).
2. Insérez verticalement le dispositif d'accès à un conduit dans le manchon, comme sur l'illustration.



Sortie rotative

Une sortie rotative peut être installée en haut du système, pour aider les utilisateurs à entrer et sortir du système en sécurité. Pour utiliser la sortie rotative, assurez-vous d'abord que le dispositif antichute se trouve dans la section de rail de sortie rotative la plus en haut. Puis, tirez la goupille rotative du plongeur (située à l'arrière de la sortie rotative) vers le bas pour désenclencher le mécanisme de blocage et faites pivoter la section de rail de sortie rotative du haut à 180° jusqu'à ce qu'elle s'enclenche.

1. Installez la sortie rotative sur la section de rail de guidage du haut en alignant les trous de la sortie rotative avec ceux du rail. Insérez les boulons. Insérez les rondelles plates, les rondelles-freins et les écrous. Serrez les pièces de fixation à un couple de 18,5 pi-lb (25 Nm).
REMARQUE : L'ensemble comprenant la sortie rotative et la section de rail de guidage du haut ne doit pas s'étendre au-delà de 36 po (914 mm) après le dernier barreau en haut de l'échelle. Lors de l'installation de la section de rail de guidage du haut, réduisez la projection de 7 po (178 mm) pour la sortie rotative.



AVERTISSEMENT : la butée du haut est obligatoire lorsque vous utilisez la sortie rotative et/ou le système d'échelle.

6.0 Installation du dispositif antichute

- Tous les utilisateurs du dispositif antichute **GlideLoc** doivent lire, comprendre et respecter les instructions contenues dans ce manuel, ainsi que les instructions fournies à la livraison du dispositif antichute.
- Avant l'installation, inspectez minutieusement le dispositif antichute conformément aux instructions du fabricant (reportez-vous à la section « 9.0 Inspection et maintenance »). N'utilisez pas le dispositif s'il semble endommagé ou s'il manque des pièces.
- Le dispositif antichute ne peut prendre en charge qu'une seule personne à la fois.
- Compatible uniquement avec les systèmes **GlideLoc**.

⚠ AVERTISSEMENT

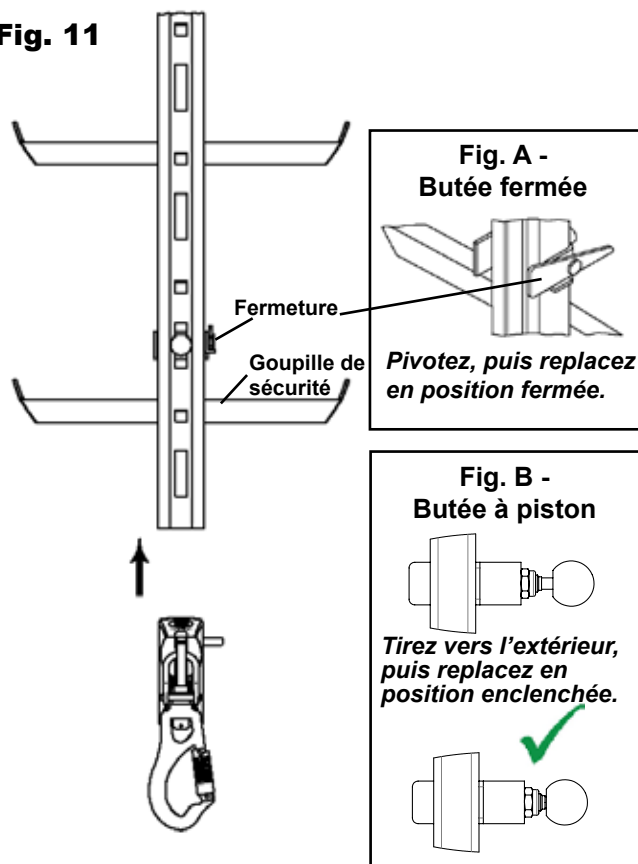
Utilisez toujours un dispositif de protection antichute personnel pour les opérations impliquant un risque de chute. Un dispositif antichute de secours est requis pendant les transitions, lorsque vous vous connectez et vous déconnectez du système, en hauteur.

6.1 Dispositifs antichute **Body Control I, Comfort et Comfort²**



1. Insérez le dispositif antichute dans le bas du rail en veillant à ce que la goupille de sécurité ressorte sur le côté droit du dispositif antichute, et à ce que la flèche située sur le côté du dispositif soit tournée vers le haut (fig. 11). REMARQUE : associée à la butée fermée, la goupille de sécurité empêche d'insérer le dispositif antichute à l'envers et de le désengager accidentellement du système.
2. Faites pivoter la fermeture de la butée (fig. A) ou tirez le piston rouge vers l'extérieur (fig. B) pour insérer le dispositif antichute dans le système. Puis replacez la butée dans sa position d'origine de manière à empêcher que le dispositif antichute se désengage du système.

Fig. 11



6.2 Dispositif antichute Universal II



Insertion en bas du rail

1. Insérez le dispositif antichute dans le bas du rail en veillant à ce que la goupille de verrouillage ressorte sur le côté droit du dispositif antichute, et à ce que la flèche située sur le côté du dispositif soit tournée vers le haut (fig. 12). REMARQUE : associée à la butée fermée, la goupille de sécurité empêche d'insérer le dispositif antichute à l'envers et de le désengager accidentellement du système.
2. Faites pivoter la fermeture de la butée (fig. A) ou tirez le piston rouge vers l'extérieur (fig. B) pour insérer le dispositif antichute dans le système. Puis remplacez la butée dans sa position d'origine de manière à empêcher que le dispositif antichute se désengage du système.

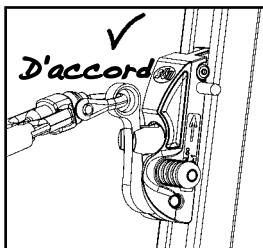
AVERTISSEMENT

Les galets de l'axe de verrouillage doivent se trouver dans le rail de guidage pendant l'utilisation! Vous devrez peut-être enfoncer l'axe de verrouillage dans le logement, vers le rail de guidage, par le dessus.

Insertion sur le rail

1. Tirez la goupille de verrouillage et pliez l'amortisseur de choc vers l'extérieur. Puis tournez l'axe de verrouillage à 90° hors de la position de glissement (fig. 13a). Insérez le dispositif dans le rail de guidage.
2. Faites pivoter le dispositif antichute dans le sens de la marche (fig. 13b).
3. Enfoncez dans le rail de guidage (fig. 13c).
4. Tournez l'axe de verrouillage (fig. 13d).
5. Fermez l'amortisseur de chocs (fig. 13e).

Vérifiez le bon fonctionnement du système avant de l'utiliser.



AVERTISSEMENT

Les galets de l'axe de verrouillage doivent se trouver dans le rail de guidage pendant l'utilisation! L'amortisseur de chocs doit être correctement enclenché. Lorsqu'il est enclenché, l'amortisseur de chocs doit empêcher la rotation de l'axe de verrouillage.

Pour retirer le dispositif antichute, tirez la goupille de verrouillage et appliquez la procédure d'installation en sens inverse.

Fig. 12

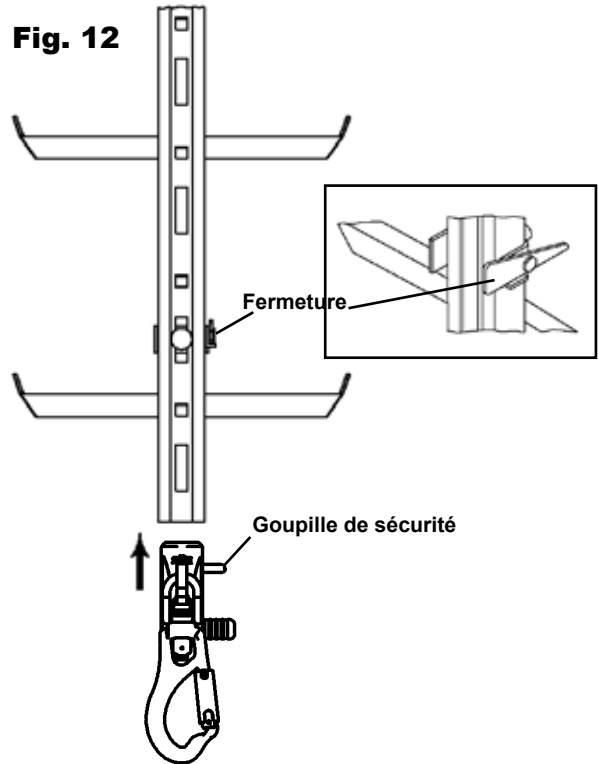


Fig. 13a

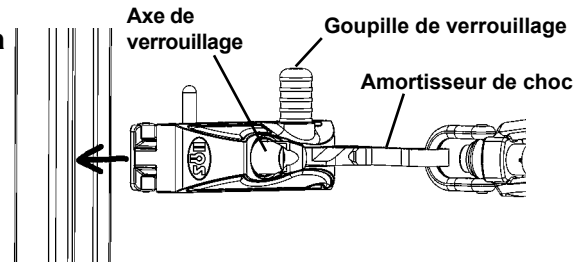


Fig. 13b

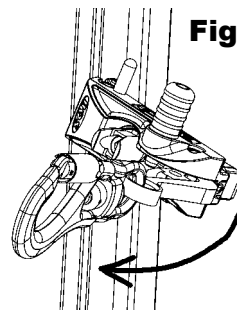


Fig. 13c

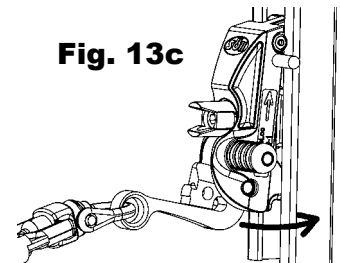


Fig. 13d

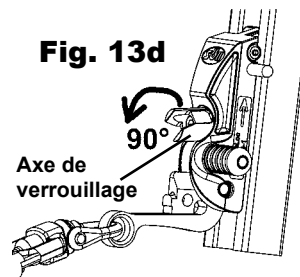
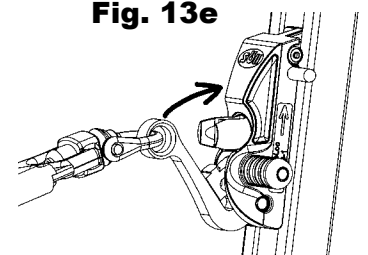


Fig. 13e



7.0 Utilisation du système

1. Enfilez un baudrier complet Miller conformément aux instructions du fabricant. Vérifiez que toutes les sangles sont connectées, que les boucles sont bien fermées et que le baudrier est parfaitement ajusté. (REMARQUE : l'utilisateur doit impérativement lire et comprendre toutes les instructions et les mises en garde fournies avec le baudrier avant d'utiliser l'équipement.)
2. Installez le dispositif antichute sur le rail de guidage conformément aux instructions du fabricant.
3. Fixez le dispositif antichute sur le point d'attache frontal du baudrier, à l'aide du mousqueton à verrouillage automatique. Ce point d'attache est conçu spécifiquement pour l'ascension des échelles.

AVERTISSEMENT : le connecteur entre le point d'attache du baudrier et le rail ne doit pas mesurer plus de 9 pouces (228 mm) de long.

4. Vérifiez que le doigt/la gâche du mousqueton est bien fermé(e) et verrouillé(e).
5. Montez ou descendez le long de l'échelle en toute sécurité.

AVERTISSEMENT

Utilisez toujours un dispositif de protection antichute personnel pour les opérations impliquant un risque de chute. Un dispositif antichute de secours est requis pendant les transitions, lorsque vous vous connectez et vous déconnectez du système, en hauteur.

8.0 Formation

Il relève de la responsabilité de l'utilisateur et de l'acheteur de l'équipement de prendre connaissance de ces instructions et de se former à l'utilisation, à l'installation, au fonctionnement, à l'inspection, à la maintenance et aux limitations de ce produit. Des formations régulières doivent être prodiguées, sans exposer les participants à des risques de chute.

La formation est un élément essentiel de notre solution complète de protection contre les chutes. En effet, aucun équipement de protection antichute, quel que soit son niveau d'efficacité, ne peut sauver un employé qui n'est pas formé pour son utilisation. Pour satisfaire à cette condition cruciale, le service de formation d'Honeywell vous permet d'acquérir le savoir-faire et les compétences requises pour évoluer dans un environnement de travail plus sûr et plus productif. Pour de plus amples informations sur le service de formation d'Honeywell, contactez dès aujourd'hui un représentant : 800.873.5242.

9.0 Inspection et maintenance

Le système GlideLoc System est conçu pour les environnements de travail exigeants modernes. Pour prolonger sa durée de vie et ses performances élevées, tous les composants doivent être régulièrement inspectés. Procédez à une inspection visuelle avant chaque utilisation. L'inspection régulière du système, par une personne compétente, pour détecter les signes d'usure, de dommages ou de corrosion, doit faire partie intégrante de votre programme de sécurité. **Si des défauts, tels que définis dans ce manuel, sont identifiés, remplacez l'équipement.**

Inspection du système et du dispositif antichute

Avant chaque utilisation, inspectez visuellement le système et le dispositif antichute pour détecter d'éventuelles pièces mal alignées, pliées, fissurées, tordues, usées, endommagées ou défectueuses, des éléments de fixation desserrés ou des pièces et composants manquants, des traces de détérioration, de déformation ou de corrosion, des signes indiquant que le produit a été soumis à l'arrêt d'une chute ou tout autre signe de dommage ou de problème susceptible de compromettre l'intégrité et le fonctionnement du produit. Veillez à ce que le rail de guidage ne soit pas souillé par la poussière ou d'éventuels débris. En cas de doute, contactez le fabricant.

Activation de l'amortisseur de chocs intégré



Veillez à ce que le dispositif antichute et toutes ses pièces fonctionnent correctement et soient utilisés uniquement aux fins prévues par le fabricant. Vérifiez que l'amortisseur de chocs du dispositif antichute n'a pas été déployé suite à l'application de forces dues à une chute. En cas de doute, contactez le fabricant.

AVERTISSEMENT

Si un dysfonctionnement ou une pièce endommagée sont détectés lors de l'inspection, ou si l'équipement a été soumis à des forces suite à l'arrêt d'une chute, l'équipement doit être immédiatement mis hors service!*

***IMPORTANT : en cas de chute, la section du rail sur laquelle a lieu la chute, les attaches de fixation des barreaux situées directement au-dessus et en dessous de l'endroit de la chute et le dispositif antichute doivent être retirés du service. L'échelle, le système de fixation de l'échelle sur la structure et le rail, les connecteurs de rail et les fixations d'attache de barreau restants doivent être minutieusement inspectés afin de détecter d'éventuels signes de fissure, déformation ou rupture. Si de tels défauts sont identifiés lors de l'inspection, les composants doivent être remplacés. De la même manière, après une chute, le baudrier doit être remplacé.**

Nettoyage et remisage

En apportant les soins de base nécessaires à l'ensemble de cet équipement de protection contre les chutes de Miller, vous prolongez la vie utile de l'article et contribuez à améliorer la performance de sa fonction vitale de sécurité. Les procédures adaptées de remisage et de maintenance, après utilisation, sont tout aussi importantes que le nettoyage de la poussière, des substances corrosives et des contaminants sur l'équipement. Nettoyez les composants du système avec un chiffon humidifié à l'eau et du savon doux ou du détergent, puis séchez avec une serviette. Les dispositifs antichute doivent être retirés des systèmes et remisés correctement après utilisation. Les zones de remisage doivent être propres, sèches et ne doivent pas être exposées à des vapeurs, des éléments corrosifs ou des sources de chaleur.

Entretien et réparation

Les procédures d'entretien et de réparation doivent être effectuées par une personne qualifiée. Il convient de tenir un registre de toutes les dates d'entretien/réparation et d'inspection de ce système. Seules les pièces de rechange d'origine d'Honeywell sont autorisées avec ce système. Pour toute question, contactez le service technique Honeywell au 800.873.5242 (option 4).

APPENDIX A: SYSTEM REPLACEMENT PARTS

ANNEXE A: PIÈCES DE RECHANGE DU SYSTÈME

Part No. Composant No.	Component Composant	Description Description
14622	Galvanized Vertical Rail with Rail Connector	10 ft.-1 in. (3.08m) length of galvanized steel rail with rail connector and hardware.
	Rail vertical galvanisé avec connecteur de rail	Rail en acier galvanisé de 10 pi-1 po (3,08 m) de long avec connecteur de rail et matériel fourni.
16852-H5	Stainless Steel Vertical Rail with Rail Connector	10 ft.-1 in. (3.08m) length of stainless steel rail with rail connector and hardware.
	Rail vertical en acier inoxydable avec connecteur de rail	Rail en acier inoxydable de 10 pi-1 po (3,08 m) de long avec connecteur de rail et matériel fourni.
15729-H5	Aluminum Vertical Rail with Rail Connector	10 ft.-1 in. (3.08m) length of aluminum rail with rail connector and hardware.
	Rail vertical en aluminium avec connecteur de rail	Rail en aluminium de 10 pi-1 po (3,08 m) de long avec connecteur de rail et matériel fourni.
26027*	12kN End Stop	Allows for entering or exiting the top or bottom of the system with the fall arrester, includes hardware.
	Butée 12 kN	Permet d'entrer ou de sortir du système, par le haut ou le bas, avec le dispositif antichute. Matériel fourni.
10903-H5	Galvanized Rung Clamp	Secures rail to ladder rungs with up to 1 in. (25.4mm) diameter; includes hardware.
	Attache de fixation de barreau galvanisé	Permet de fixer le rail sur des barreaux d'échelle d'un diamètre maximal de 1 po (25,4 mm). Matériel fourni.
14809	Stainless Steel Rung Clamp	Secures rail to ladder rungs with up to 1 in. (25.4mm) diameter; includes hardware.
	Attache de fixation de barreau en acier inoxydable	Permet de fixer le rail sur des barreaux d'échelle d'un diamètre maximal de 1 po (25,4 mm). Matériel fourni.
14804	Galvanized Rung Clamp	Secures rail to ladder rungs with up to 1-1/4 in. (31.8mm) diameter; includes hardware.
	Attache de fixation de barreau galvanisé	Permet de fixer le rail sur des barreaux d'échelle d'un diamètre maximal de 1-1/4 po (31,8 mm). Matériel fourni.
14813	Stainless Steel Rung Clamp	Secures rail to ladder rungs with up to 1-1/4 in. (31.8mm) diameter; includes hardware.
	Attache de fixation de barreau en acier inoxydable	Permet de fixer le rail sur des barreaux d'échelle d'un diamètre maximal de 1-1/4 po (31,8 mm). Matériel fourni.
14805	Galvanized Rung Clamp	Secures rail to ladder rungs with up to 1-3/4 in. (44.5mm) diameter; includes hardware.
	Attache de fixation de barreau galvanisé	Permet de fixer le rail sur des barreaux d'échelle d'un diamètre maximal de 1-3/4 po (44,5 mm). Matériel fourni.
14814	Stainless Steel Rung Clamp	Secures rail to ladder rungs with up to 1-3/4 in. (44.5mm) diameter; includes hardware.
	Attache de fixation de barreau en acier inoxydable	Permet de fixer le rail sur des barreaux d'échelle d'un diamètre maximal de 1-3/4 po (44,5 mm). Matériel fourni.
Part No. Composant No.	Optional Component Composant Facultatif	Description Description
11634-H5	Stainless Steel Rigid End Stop	Prevents the fall arrester from being removed from the system; may be installed at the top or bottom of the system; includes mushroom head square neck bolt, B4 DIN 9021 washer, and M8 DIN 985 self-locking nut.
	Butée rigide en acier inoxydable	Empêche le retrait du dispositif antichute du système. Peut être installée en haut ou en bas du système. Inclut un boulon à tête bombée à collet carré, une rondelle B4 DIN 9021 et un écrou à verrouillage automatique M8 DIN 985
19091	Galvanized Side Mount Clamp	Enables mounting rail along the side of the ladder; includes hardware.
	Bride de fixation latérale galvanisée	Permet d'installer un rail le long de l'échelle, sur le côté. Matériel fourni.
17065	Stainless Steel Shaft Entering Device	Allows for safe entry into a shaft, such as a manhole; includes hardware; must be used in conjunction with the coupling (Part #16191).
	Dispositif d'accès à un conduit en acier inoxydable	Permet de pénétrer en toute sécurité dans un conduit, comme un trou d'homme. Matériel fourni. Doit être utilisé en association avec le manchon d'accouplement (réf. 16191).
16191-H5	Stainless Steel Shaft Entering Device Coupling	Attaches to the top of GlideLoc rail to allow use of shaft entering device (Part #17065); includes hardware.
	Manchon d'accouplement du dispositif d'accès à un conduit en acier inoxydable	Se fixe en haut du rail GlideLoc pour permettre l'utilisation du dispositif d'accès à un conduit (réf. 17065). Matériel fourni.
23724	Foldable Foot Rest	Provides workers with a rest platform within the system; includes hardware.
	Repose-pied pliable	Plateforme pratique intégrée au système pour faciliter le travail des ouvriers. Matériel fourni.
26087-H5	Rotary Exit	Installs to the top guide rail section to allow for safely entering and exiting at the top of the system; includes hardware.
	Sortie rotative	S'installe sur la section de rail de guidage du haut pour permettre l'entrée et la sortie en haut du système. Matériel inclus.
Model No. Modèle No.	Fall Arrester Dispositif Antichute	
25805-Z7/**	Universal II GlideLoc Fall Arrester with swivel auto-locking carabiner. Constructed completely of stainless steel.	
	Dispositif antichute Universal II GlideLoc avec mousqueton pivotant à verrouillage automatique. Fabriqué entièrement en acier inoxydable.	
27441***	Body Control I GlideLoc Fall Arrester with swivel auto-locking carabiner. Constructed of stainless steel and aluminum.	
	Dispositif antichute Body Control I GlideLoc avec mousqueton pivotant à verrouillage automatique. Fabriqué en acier inoxydable et en aluminium.	

*Replaces Part Nos. 21050 (Gated Top End Stop) & 21049 (Gated Bottom End Stop) / Remplace les pièces n° 21050 (butée supérieure fermée) et 21049 (butée inférieure fermée)

**Replaces Part Nos. 23531 & 23531-Z7 / Remplace les pièces n° 23531 et 23531-Z7

66 ***Replaces Part Nos. 22697-Z7/ (Comfort GlideLoc Fall Arrester) and 23331 (Comfort² GlideLoc Fall Arrester) / Remplace les pièces n° 22697-Z7/ (dispositif antichute Comfort GlideLoc) et 23331 (dispositif antichute Comfort² GlideLoc)

APPENDIX B: INSPECTION AND MAINTENANCE LOG


ANNEXE B: REGISTRE D'INSPECTION ET D'ENTRETIEN

DATE OF MANUFACTURE: _____ MODEL NO.: _____ DATE PURCHASED: _____
 DATE DE FABRICATION / FECHA DE FABRICACIÓN NUMÉRO DE MODÈLE / NÚM. DE MODELO DATE D'ACHAT / FECHA DE COMPRA

INSPECTION DATE DATE D'INSPECTION FECHA DE INSPECCIÓN	INSPECTION ITEMS NOTED POINTS NOTÉS LORS DE L'INSPECTION PUNTOS DE INSPECCIÓN RELEVANTES	CORRECTIVE ACTION ACTION CORRECTIVE MEDIDA CORRECTIVA	MAINTENANCE PERFORMED ENTRETIEN EFFECTUÉ MANTENIMIENTO REALIZADO
Approved by: Approuvé par: Aprobado por:			
Approved by: Approuvé par: Aprobado por:			
Approved by: Approuvé par: Aprobado por:			
Approved by: Approuvé par: Aprobado por:			
Approved by: Approuvé par: Aprobado por:			
Approved by: Approuvé par: Aprobado por:			
Approved by: Approuvé par: Aprobado por:			
Approved by: Approuvé par: Aprobado por:			
Approved by: Approuvé par: Aprobado por:			
Approved by: Approuvé par: Aprobado por:			
Approved by: Approuvé par: Aprobado por:			
Approved by: Approuvé par: Aprobado por:			
Approved by: Approuvé par: Aprobado por:			
Approved by: Approuvé par: Aprobado por:			
Approved by: Approuvé par: Aprobado por:			
Approved by: Approuvé par: Aprobado por:			

APPENDIX C: SYSTEM TAG


ANNEXE C: ÉTIQUETTE DU SYSTÈME



Honeywell Industrial Safety
 1345 15th Street • PO Box 271
 Franklin, PA 16323 USA
 Tel. 800-873-5242 • Fax 800-892-4078
 www.honeywellsafety.com

GlideLoc® Ladder Climbing System

OSHA; CSA Z259.2.4; ANSI A14.3



Model No. / Modèle No.:

- 15729-H5 - Aluminum Rail / Rail en aluminium
- 14622 - Galvanized Steel Rail / Rail en acier galvanisé
- 16852-H5 - Stainless Steel Rail / Rail en acier inoxydable

Compatible with Fall Arresters / Compatible avec les dispositifs antichutes: 22697-Z7, 23331, 25805-Z7 & 27441

Read and follow manufacturer's instructions included with system at time of shipment! Do not alter system or substitute system elements with non-Honeywell-approved components. Use only with compatible fall arresters. Inspect system regularly according to manufacturer's instructions.

YEAR OF INSTALLATION / ANNÉE D'INSTALLATION

MAX. NO. OF USERS PERMITTED ON SYSTEM / NOMBRE MAXIMAL D'UTILISATEURS AUTORISÉS SUR LE SYSTÈME

INSPECTION GRID / GRILLE D'INSPECTION

1	2	3	4	5	6	7	8	9	10	11	12
1	2	3	4	5	6	7	8	9	0		

Mark month(s) for required inspections; initial each year as completed. / Marquer les mois pour les inspections requises; initiale chaque année complétée.

LB1426 REV B
MFP9340005

For more information
www.honeywellsafety.com

Honeywell Industrial Safety
P.O. Box 271, 1345 15th Street
Franklin, PA 16323 USA
Toll Free: 800.873.5242
Fax: 800.892.4078
E-mail: hsptechsupport@honeywell.com

