



The Ultimate in Fall Protection

flexiguard

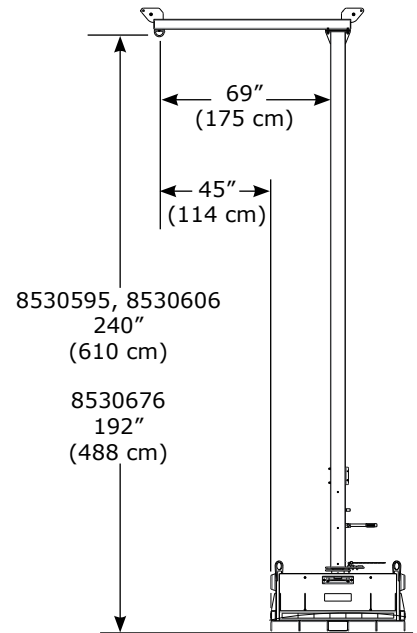
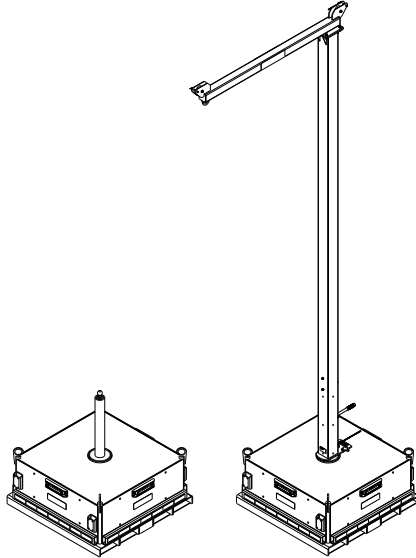
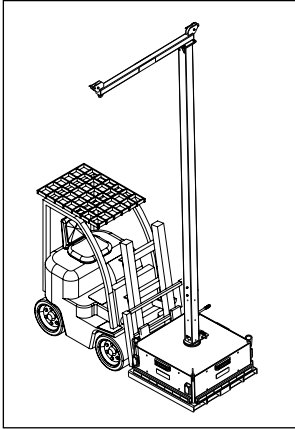
SafRig Fall Arrest System

Model Numbers: (Figure 1)

USER INSTRUCTION MANUAL

Figure 1

8530595, 8530606, 8530676



8530579 & 8530607

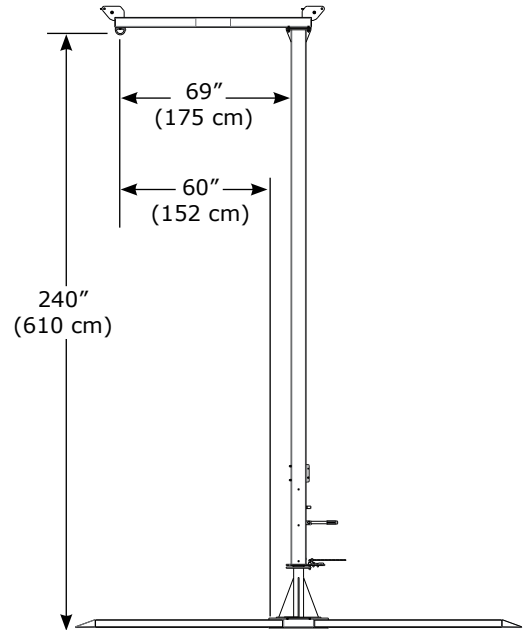
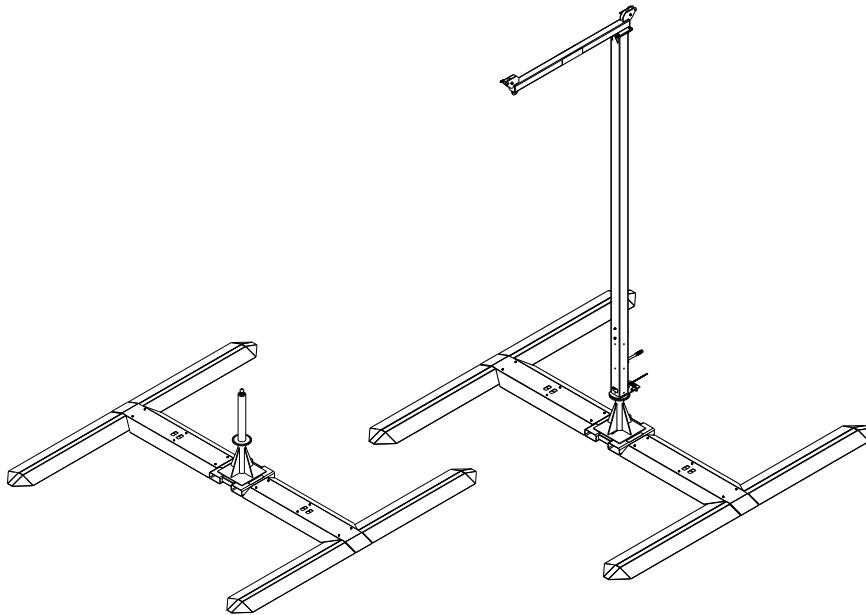


Figure 2

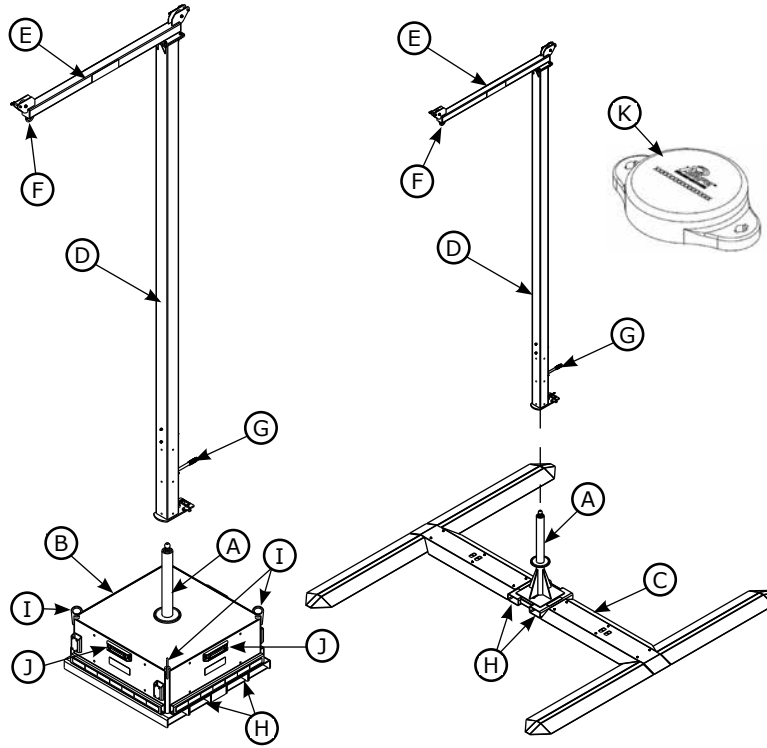


Figure 3

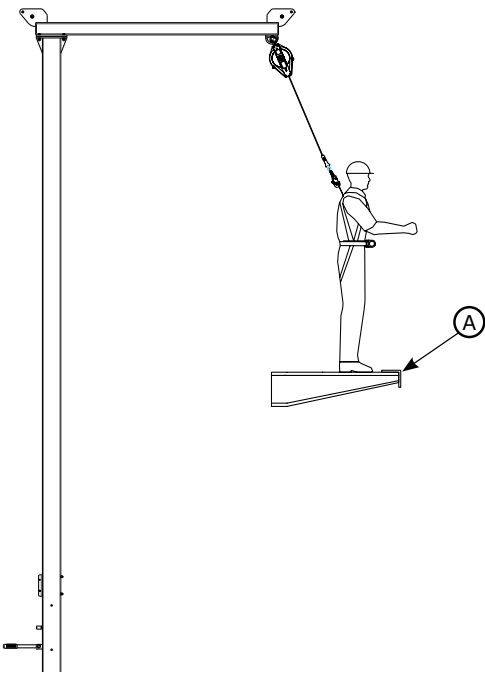


Figure 4

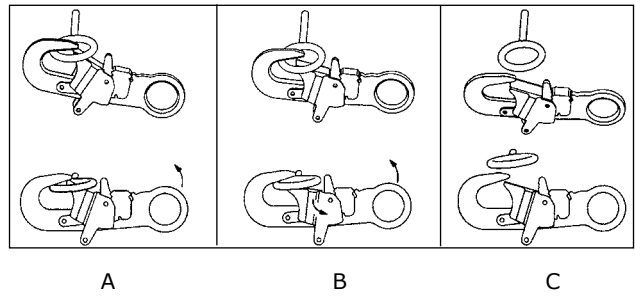


Figure 5

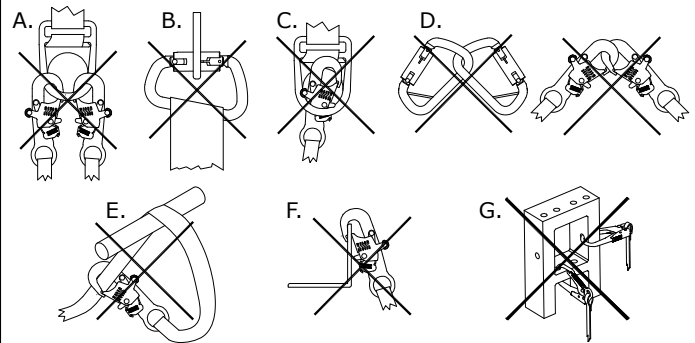
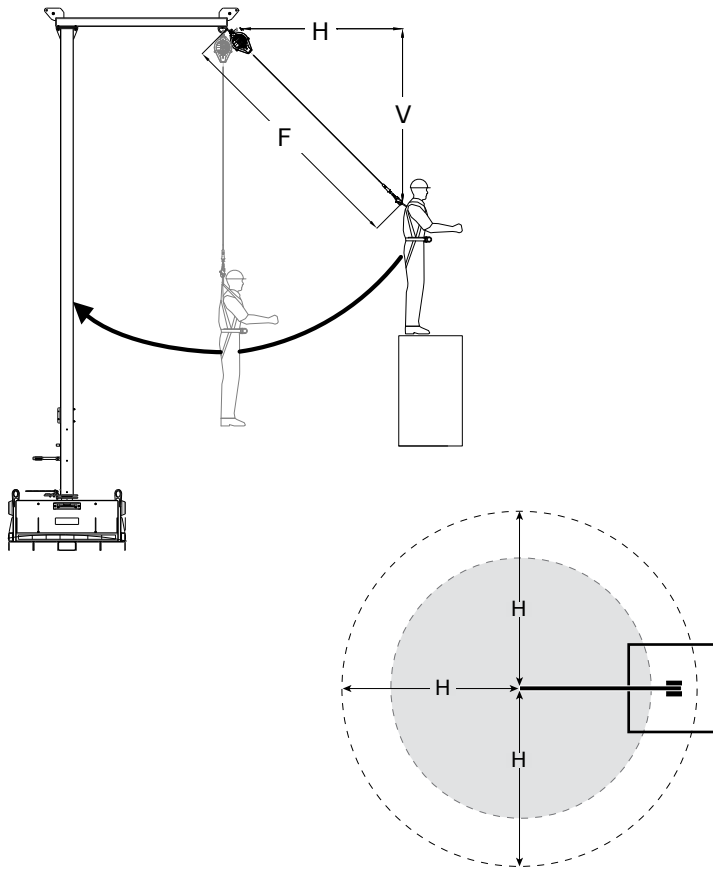


Figure 6



F	← H →							ft m
	0.0	1.0	2.0	3.0	4.0	5.0	6.0	
0.0	0.0	1.0	2.0	3.0	4.0	5.0	6.0	
0.0	0.0	0.3	0.6	0.9	1.2	1.5	1.8	
1.0	1.0	1.4	2.2	3.2	4.1	5.1	6.1	
0.3	0.3	0.4	0.7	1.0	1.3	1.6	1.9	
2.0	2.0	2.2	2.8	3.6	4.5	5.4	6.3	
0.6	0.6	0.7	0.9	1.1	1.4	1.6	1.9	
3.0	3.0	3.2	3.6	4.2	5.0	5.8	6.7	
0.9	0.9	1.0	1.1	1.3	1.5	1.8	2.0	
4.0	4.0	4.1	4.5	5.0	5.7	6.4	7.2	
1.2	1.2	1.3	1.4	1.5	1.7	2.0	2.2	
5.0	5.0	5.1	5.4	5.8	6.4	7.1	7.8	
1.5	1.5	1.6	1.6	1.8	2.0	2.2	2.4	
6.0	6.0	6.1	6.3	6.7	7.2	7.8	8.5	
1.8	1.8	1.9	1.9	2.0	2.2	2.4	2.6	
7.0	7.0	7.1	7.3	7.6	8.1	8.6	9.2	
2.1	2.1	2.2	2.2	2.3	2.5	2.6	2.8	
8.0	8.0	8.1	8.2	8.5	8.9	9.4	10.0	
2.4	2.4	2.5	2.5	2.6	2.7	2.9	3.0	
9.0	9.0	9.1	9.2	9.5	9.8	10.3	10.8	
2.7	2.7	2.8	2.8	2.9	3.0	3.1	3.3	
10.0	10.0	10.0	10.2	10.4	10.8	11.2	11.7	
3.0	3.0	3.1	3.1	3.2	3.3	3.4	3.6	
11.0	11.0	11.0	11.2	11.4	11.7	12.1	12.5	
3.4	3.4	3.4	3.4	3.5	3.6	3.7	3.8	
12.0	12.0	12.0	12.2	12.4	12.6	13.0	13.4	
3.7	3.7	3.7	3.7	3.8	3.9	4.0	4.1	
13.0	13.0	13.0	13.2	13.3	13.6	13.9	14.3	
4.0	4.0	4.0	4.0	4.1	4.1	4.2	4.4	
14.0	14.0	14.0	14.1	14.3	14.6	14.9	15.2	
4.3	4.3	4.3	4.3	4.4	4.4	4.5	4.6	
15.0	15.0	15.0	15.1	15.3	15.5	15.8	16.2	
4.6	4.6	4.6	4.6	4.7	4.7	4.8	4.9	
16.0	16.0	16.0	16.1	16.3	16.5	16.8	17.1	
4.9	4.9	4.9	4.9	5.0	5.0	5.1	5.2	
17.0	17.0	17.0	17.1	17.3	17.5	17.7	18.0	
5.2	5.2	5.2	5.2	5.3	5.3	5.4	5.5	
18.0	18.0	18.0	18.1	18.2	18.4	18.7	19.0	
5.5	5.5	5.5	5.5	5.6	5.6	5.7	5.8	
19.0	19.0	19.0	19.1	19.2	19.4	19.6	19.9	
5.8	5.8	5.8	5.8	5.9	5.9	6.0	6.1	
20.0	20.0	20.0	20.1	20.2	20.4	20.6	20.9	
6.1	6.1	6.1	6.1	6.2	6.2	6.3	6.4	
21.0	21.0	21.0	21.1	21.2	21.4	21.6	21.8	
6.4	6.4	6.4	6.4	6.5	6.5	6.6	6.7	
22.0	22.0	22.0	22.1	22.2	22.4	22.6	22.8	
6.7	6.7	6.7	6.7	6.8	6.8	6.9	7.0	
23.0	23.0	23.0	23.1	23.2	23.3	23.5	23.8	
7.0	7.0	7.0	7.0	7.1	7.1	7.2	7.2	
24.0	24.0	24.0	24.1	24.2	24.3	24.5	24.7	
7.3	7.3	7.3	7.3	7.4	7.4	7.5	7.5	
25.0	25.0	25.0	25.1	25.2	25.3	25.5	25.7	
7.6	7.6	7.6	7.6	7.7	7.7	7.8	7.8	

F-V ≤ 4.0 ft (1.2 m)

Figure 7

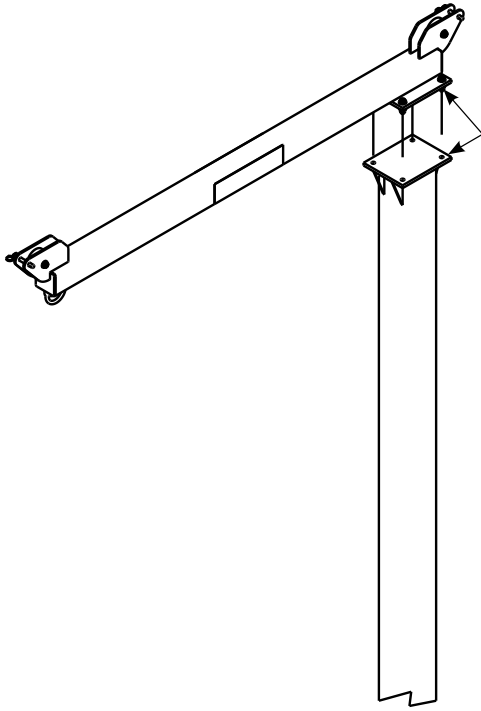


Figure 8

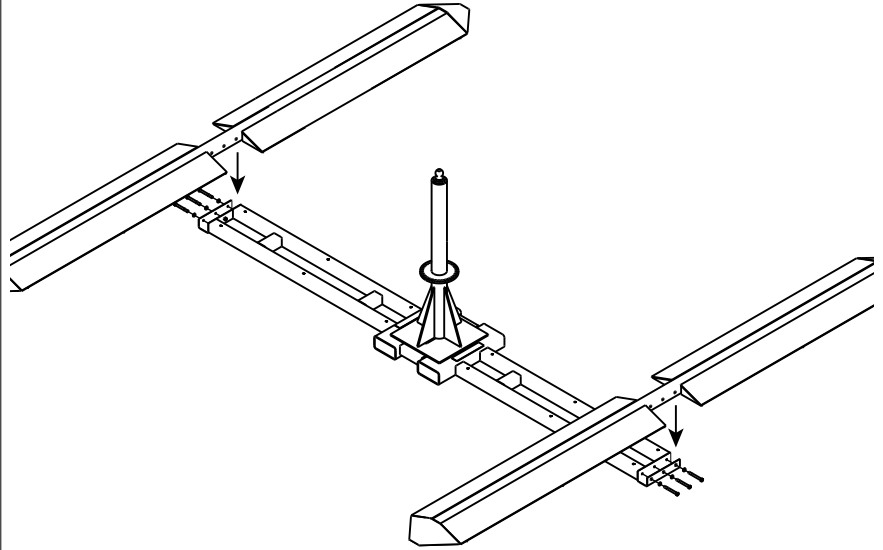


Figure 9

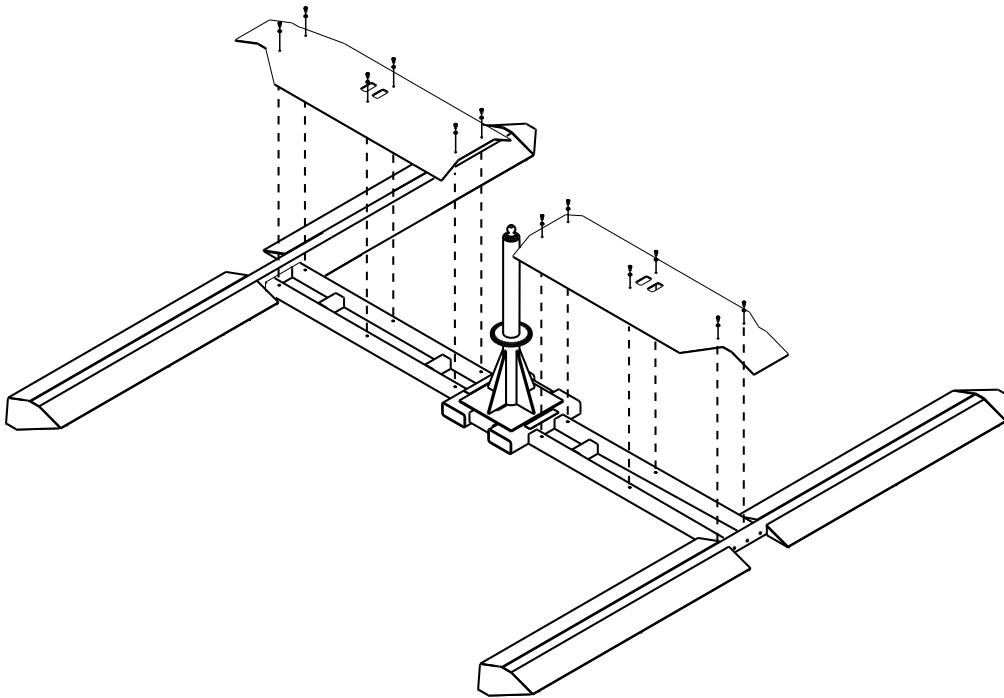


Figure 10

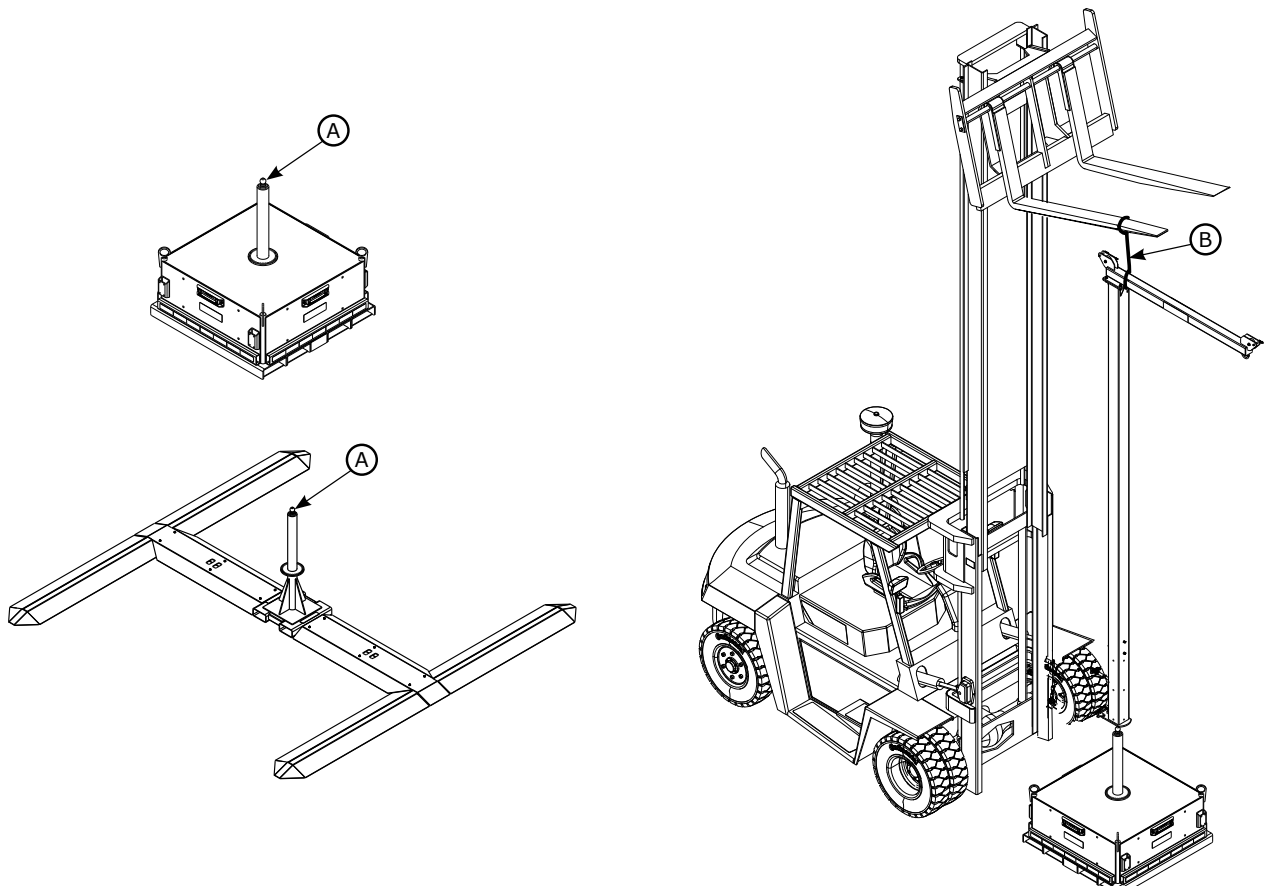


Figure 11

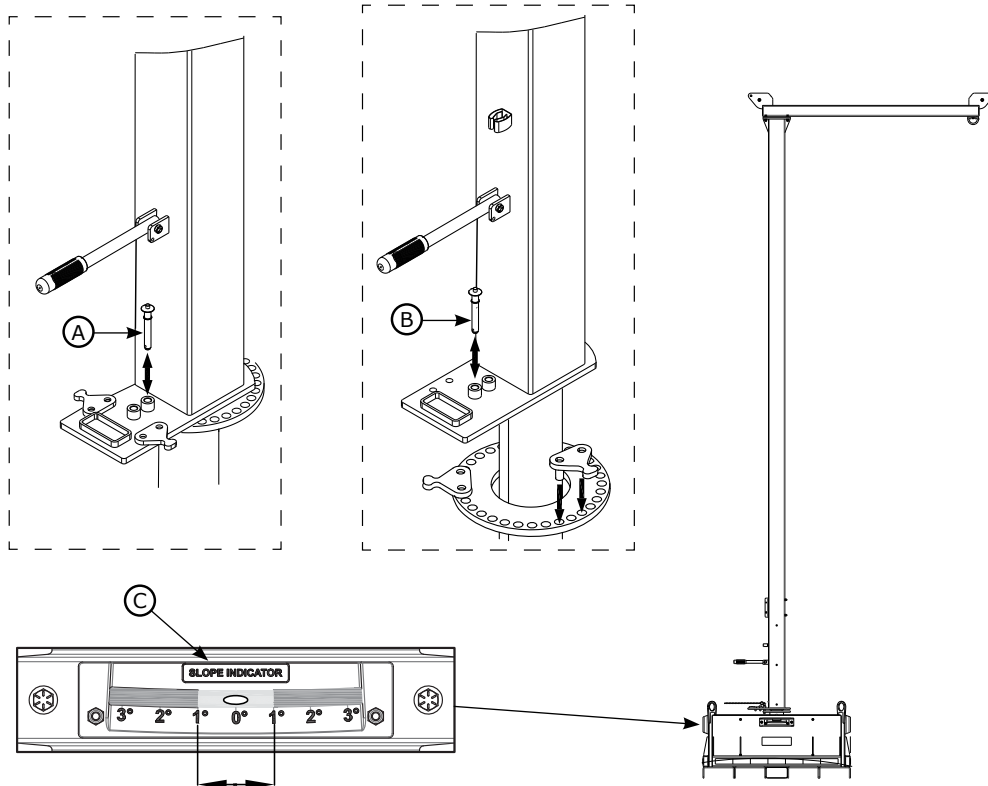


Figure 12

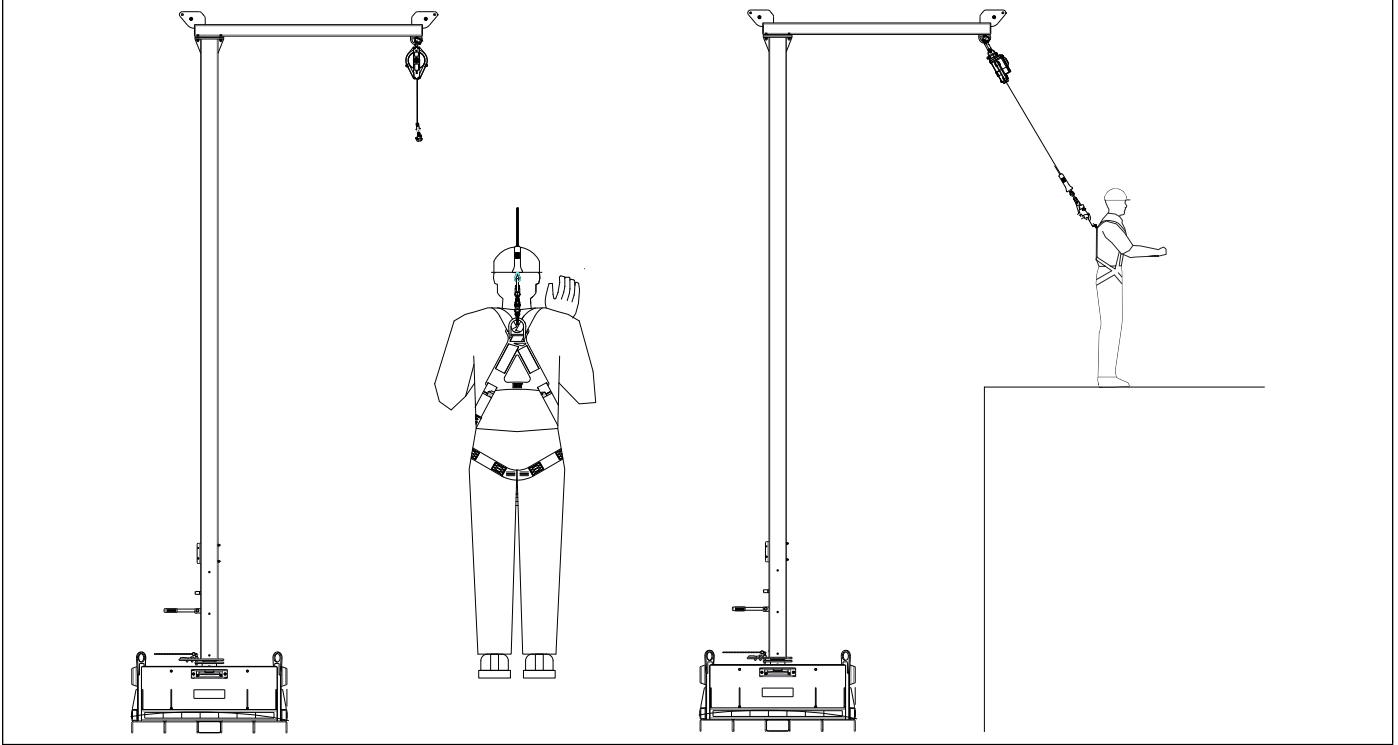
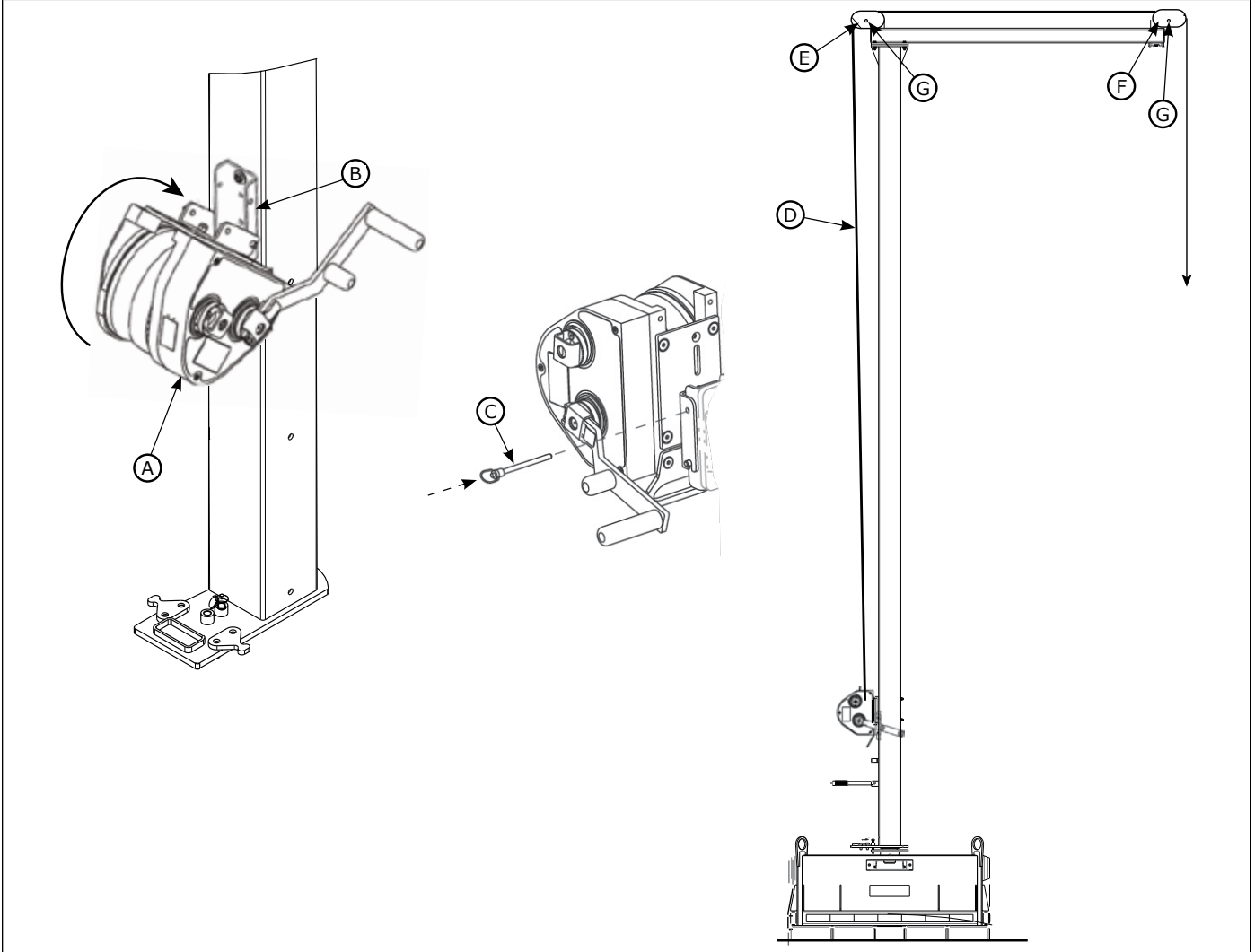


Figure 13



WARNING: This product is part of a Personal Fall Arrest and Work Positioning system. The user must follow the manufacturer's instructions for each component of the system. These instructions must be provided to the user of this equipment. The user must read and understand these instructions before using this equipment. Manufacturer's instructions must be followed for proper use and maintenance of this equipment. Alterations or misuse of this product or failure to follow instructions may result in serious injury or death.

IMPORTANT: If you have questions on the use, care, or suitability of this equipment for your application, contact Capital Safety. For general questions, refer to national Standards including the ANSI Z359 (.0, .1, .2, .3, and .4) family of standards on fall protection, ANSI A10.32, and applicable local, state, and federal (OSHA) requirements governing occupational safety for more information about fall protection systems.

IMPORTANT: Prior to installation and use of this equipment, record the product identification information from the ID label in the Inspection and Maintenance Log (Table 2) at the back of this manual.

PRODUCT DESCRIPTION:

Figure 1 illustrates the Flexiguard® SafRig Fall Arrest System. The SafRig Fall Arrest System is a fixed height boom mounted Fall Arrest System that rotates 360° on a Concrete-filled Counterweight Base (models 8530595, 8530606 and 8530676) or Steel Outrigger Base (models 8530579 and 8530607). The bases are configured to allow transport of the system with a Crane, Hoist, or Forklift with a Sling Strap. A leveling Jack Kit for the concrete base is available. The SafRig Fall Arrest System includes an integrated rescue capability.

Figure 2 illustrates components of the SafRig Fall Arrest System. See Table 1 for Component Specifications. The Boom (E) extends from the Vertical Mast (D). A Self-Retracting Lifeline is be connected to the Boom for fall protection. The Vertical Mast can be rotated 360° with the Rotation Handle (G) and locked at 11° increments or allowed to rotate through a range defined by stop pins (see Figure 8). SafRig Fall Arrest System bases have Lifting Channels (H) for transport with a forklift, pallet jack, crane, etc. The Concrete-filled Counterweight Base also includes Lifting Eyes (I) for use with a forklift or crane. A Slope Indicator (I) on Concrete-filled Counterweight Bases can be used to determine if the system is level. Optional Leveling Jacks can be installed on Concrete-filled Counterweight Bases.

Table 1 – Specifications

Component Specifications:			
Figure 2 Reference	Component	Materials	Rating
Ⓐ	Hitch Ball Post	Tube - Steel Hitch Ball Pivot - Steel	
Ⓑ	Concrete Filled Counterweight Base	Steel Shell, Concrete with Steel Rebar	Filled with 4,000 psi Concrete
Ⓒ	Steel Outrigger Base	Steel	
Ⓓ	Vertical Mast	Tube - Steel	
Ⓔ	Boom	Steel	
Ⓕ	Fall Arrest Connection Point	Steel	1,800 lb (8 kN) Vertical (↓) Load
Ⓖ	Rotation Handle	Tube - Steel Hand Grip - Rubber	
Ⓗ	Lifting Channels	Steel	
Ⓘ	Lifting Eyes, Concrete Filled Base	Steel	5,000 lb (2,268 kg) Vertical (↓) Load (1,250 lbs per eye)
Ⓙ	Slope Indicator, Concrete Filled Base	Plastic Gauge on Aluminum C-Channel	
Ⓚ	i-Safe™ RFID Tag	Nylon, Glass	Radio Frequency - 13.56 MHz
Models 8530595 and 8530579 include SRL, Tagline and Carabiner, not shown.			
System Specifications:			
Capacity:	1 Person with a combined weight (including clothing, tools, etc.) of no more than 310 lbs (141 kg) or 420 lbs (191 kg) with a 900 lb (408 kg) MAAF device.		
Anchorage:	Structure supporting the Fall Arrest System must withstand a 7,350 lb (33 kN) vertical load.		

1.0 PRODUCT APPLICATION

- 1.1 PURPOSE:** Flexiguard® Anchorage Systems are designed to provide anchorage connection points for a Personal Fall Arrest System (PFAS).

WARNING: Unless otherwise noted, Capital Safety equipment is designed for use with Capital Safety approved components and subsystems only. Substitution or replacement with non-approved components or subsystems may jeopardize compatibility of equipment and may affect safety and reliability of the complete system. Do not hang, lift, or support tools or equipment from the Anchorage System, or attach guy lines for antennas, phone lines, etc.

- 1.2 SUPERVISION:** Installation of this equipment must be supervised by a Qualified Person¹. Use of this equipment must be supervised by a Competent Person².

- 1.3 TRAINING:** This equipment must be installed and used by persons trained in its correct application. This manual is to be used as part of an employee training program as required by OSHA. It is the responsibility of the users and installers of this equipment to ensure they are familiar with these instructions, trained in the correct care and use of this equipment, and are aware of the operating characteristics, application limitations, and consequences of improper use of this equipment.

IMPORTANT: Training must be conducted without exposing the user to a fall hazard. Training should be repeated periodically.

- 1.4 RESCUE PLAN:** When using this equipment and connecting subsystem(s), the employer must have a rescue plan and the means at hand to implement and communicate that plan to users, Authorized Persons³, and Rescuers⁴. A trained, on-site rescue team is recommended. Team members should be provided with the equipment and techniques to perform a successful rescue. Training should be provided on a periodic basis to ensure rescuer proficiency.

- 1.5 INSPECTION FREQUENCY:** The Flexiguard Anchorage System shall be inspected by the user before each use and, additionally, by a Competent Person other than the user at intervals of no more than one year⁵. Inspection procedures are described in the "Inspection and Maintenance Log" (Table 2). Results of each Competent Person inspection should be recorded on copies of the "Inspection and Maintenance Log".

- 1.6 AFTER A FALL:** If the Flexiguard I-Beam Sliding Anchor Post is subjected to the forces of arresting a fall, it must be removed from the field of service immediately and replaced or inspected by an Authorized Capital Safety Representative.

2.0 SYSTEM CONSIDERATIONS

- 2.1 ANCHORAGE:** Structure on which the Flexiguard Anchorage System is placed or mounted must meet the Anchorage specifications defined in Table 1.

FROM OSHA: Anchorages used for attachment of Personal Fall Arrest Systems shall be independent of any anchorage being used to support or suspend platforms, and capable of supporting at least 5,000 lbs (22 kN) per user attached, or be designed, installed, and used as part of a complete Personal Fall Arrest System which maintains a safety factor of a least 2, and is under the supervision of a qualified person.

- 2.2 PERSONAL FALL ARREST SYSTEM:** Personal Fall Arrest Systems (PFAS) used with the Anchorage System must meet applicable OSHA, ANSI, state, and federal requirements. The PFAS shall incorporate a Full Body Harness and meet the following capabilities:

	Arresting Force	Maximum Free Fall Distance
PFAS with Self Retracting Device	900 lb (4 kN) Maximum Arresting Force or 900 lb (4 kN) Average Arresting Force (as defined in ANSI Z359.14)	2 ft (0.61 m)

IMPORTANT: Only SRLs can be used with the Flexiguard SafRig Fall Arrest System. Refer to SRL manufacturer's instructions.

- 2.3 FALL PATH AND SRL LOCKING SPEED:** A clear path is required to assure positive locking of an SRL. Situations which do not allow for an unobstructed fall path should be avoided. Working in confined or cramped spaces may not allow the body to reach sufficient speed to cause the SRL to lock if a fall occurs. Working on slowly shifting material, such as sand or grain, may not allow enough speed buildup to cause the SRL to lock.

- 2.4 HAZARDS:** Use of this equipment in areas with environmental hazards may require additional precautions to prevent injury to the user or damage to the equipment. Hazards may include, but are not limited to: heat, chemicals, corrosive environments, high voltage power lines, explosive or toxic gases, moving machinery, sharp edges, or overhead materials that may fall and contact the user or Personal Fall Arrest System.

1 Qualified Person: A person with a recognized degree of professional certificate and with extensive knowledge, training, and experience in the fall protection and rescue field who is capable of designing, analyzing, evaluating, and specifying fall protections and rescue systems to the extent required by OSHA and other applicable standards.

2 Competent Person: One who is capable of identifying existing and predictable hazards in the surroundings or working conditions which are unsanitary, hazardous, or dangerous to employees, and who has authorization to take prompt corrective measures to eliminate them.

3 Authorized Person: For purposes of the Z359 standards, a person assigned by the employer to perform duties at a location where the person will be exposed to a fall hazard.

4 Rescuer: Person or persons other than the rescue subject acting to perform an assisted rescue by operation of a rescue system.

5 Inspection Frequency: Extreme working conditions (harsh environments, prolonged use, etc.) may require increasing the frequency of competent person inspections.

2.5 FALL CLEARANCE: There must be sufficient clearance below the user to arrest a fall before the user strikes the ground or other obstruction. Fall Clearance is dependent on the following factors:

- Deceleration Distance
- Worker Height
- Elevation of Anchorage Connector
- Free Fall Distance
- Movement of Harness Attachment Element
- Connecting Subsystem Length

See the Personal Fall Arrest System manufacturer's instructions for specifics regarding Fall Clearance calculation.

2.6 SWING FALLS: Swing Falls occur when the anchorage point is not directly above the point where the fall occurs (see Figure 6). The force of striking an object while swinging from the pendulum effects of a Swing Fall can cause serious injury. Swing Falls can be minimized by limiting the horizontal distance (H) between the user and the anchorage point. In a Swing Fall, the total vertical fall distance (F) will be greater than if the user had fallen directly below the anchorage point, thus increasing Fall Clearance required to safely arrest the user's fall. See the PFAS manufacturer's instructions for details regarding Swing Falls and Fall Clearance calculation.

2.7 SHARP EDGES: Avoid working where Lifeline or Lanyard components of the Personal Fall Arrest System (PFAS) can contact or abrade against unprotected sharp edges (see Figure 3). Where contact with a sharp edge is unavoidable, cover the edge with protective material (A).

2.8 COMPONENT COMPATIBILITY: Capital Safety equipment is designed for use with Capital Safety approved components and subsystems only. Substitutions or replacements made with non-approved components or subsystems may jeopardize compatibility of equipment and may effect the safety and reliability of the complete system.

IMPORTANT: *Equipment substitutions require written consent from Capital Safety.*

2.9 CONNECTOR COMPATIBILITY: Connectors are considered to be compatible with connecting elements when they have been designed to work together in such a way that their sizes and shapes do not cause their gate mechanisms to inadvertently open regardless of how they become oriented. Contact Capital Safety if you have any questions about compatibility.

Connectors (hooks, carabiners, and D-rings) must be capable of supporting at least 5,000 lbs. (22.2 kN). Connectors must be compatible with the anchorage or other system components. Do not use equipment that is not compatible. Non-compatible connectors may unintentionally disengage (see Figure 4). Connectors must be compatible in size, shape, and strength. If the connecting element to which a snap hook or carabiner attaches is undersized or irregular in shape, a situation could occur where the connecting element applies a force to the gate of the snap hook or carabiner (A). This force may cause the gate to open (B), allowing the snap hook or carabiner to disengage from the connecting point (C).

Self-locking snap hooks and carabiners are required by ANSI Z359 and OSHA.

2.10 MAKING CONNECTIONS: Snap hooks and carabiners used with this equipment must be self-locking. Ensure all connections are compatible in size, shape and strength. Do not use equipment that is not compatible. Ensure all connectors are fully closed and locked.

Capital Safety connectors (snap hooks and carabiners) are designed to be used only as specified in each product's user's instructions. See Figure 5 for examples of inappropriate connections. Do not connect snap hooks and carabiners:

- A. To a D-ring to which another connector is attached.
- B. In a manner that would result in a load on the gate.

NOTE: *Large throat snap hooks should not be connected to standard size D-rings or similar objects which will result in a load on the gate if the hook or D-ring twists or rotates, unless the snap hook complies is equipped with a 3,600 lb (16 kN) gate. Check the marking on your snap hook to verify that it is appropriate for your application.*

- C. In a false engagement, where features that protrude from the snap hook or carabiner catch on the anchor, and without visual confirmation seems to be fully engaged to the anchor point.
- D. To each other.
- E. Directly to webbing or rope lanyard or tie-back (unless the manufacturer's instructions for both the lanyard and connector specifically allows such a connection).
- F. To any object which is shaped or dimensioned such that the snap hook or carabiner will not close and lock, or that roll-out could occur.
- G. In a manner that does not allow the connector to align properly while under load.

3.0 INSTALLATION

IMPORTANT: The Flexiguard SafRig Fall Arrest System must be installed by a Qualified Person and the installation must be certified by a Qualified Person as: meeting the criteria for a Certified Anchorage, or capable of supporting the potential forces that could be encountered during a fall.

IMPORTANT: Do not alter or intentionally misuse this equipment. Consult Capital Safety when installing or using this equipment in combination with components or subsystems other than those described in this manual. Some subsystems and component combinations may interfere with the operation of this equipment.

- 3.1 PLANNING:** Plan your fall protection system prior to installation of the Flexiguard SafRig Fall Arrest System. Account for all factors that may affect your safety before, during, and after a fall. Consider all requirements, limitations, and specifications defined in Section 2 and Table 1.

Refer to Figure 2 for identification of SafRig system components.

3.2 SYSTEM SETUP, Steel Outrigger Base models 8530579 and 8530607:

Install Boom on the Vertical Mast: See Figure 7. Bolt the plate at the end of the boom to the plate at the top of the vertical mast with the supplied hardware. Torque hardware to 60 ft*lbs.

Assemble Steel Outrigger Base: See Figure 8. Position the center section of the base. Set the two outriggers in place and attach with the supplied hardware. Torque hardware to 60 ft*lbs.

Install Drive Over Guards : See Figure 9. Position the drive over guards. Attach with the supplied hardware. Torque hardware to 45 ft*lbs.

3.3 SYSTEM SETUP, Concrete-filled Counterweight Base models 8530595, 8530606 and 8530676:

Install Boom on the Vertical Mast: See Figure 7. Bolt the boom to the vertical mast. Use supplied hardware. Torque hardware to 60 ft*lbs.

Install Leveling Jacks: If included with the Concrete Filled Counterweight Base supplied with your Flexiguard SafRig Fall Arrest System, install Leveling Jacks as instructed in the included Installation Instruction 5903386. (Leveling Jacks kit part number is 8530563.)

3.4 INSTALL THE FLEXIGUARD SAFRIG FALL ARREST SYSTEM ON THE BASE:

- 1. POSITION COUNTERWEIGHT BASE:** See Figure 10. Before proceeding further, lubricate the Hitch Ball Post pivot ball (A) liberally with grease.
- 2. POSITION THE VERTICAL MAST OVER THE BASE:** See Figure 10. Lift the assembled Vertical Mast by slinging (B) the Boom with a Forklift or Crane. Position the Vertical Mast so the mounting socket in the bottom of the Vertical Mast is directly over the Hitch Ball Post.
- 3. LOWER THE VERTICAL MAST ONTO THE BASE:** Lower the Vertical Mast onto the Base until the Hitch Ball fully seats in the Vertical Mast mounting socket.

3.5 INSTALL OPTIONAL RESCUE AND RETRIEVAL KIT: See Figure 13.

- 1. ATTACH THE WINCH:** Attach the winch or 3-way SRL (A) to the winch mount bracket (B). Secure the winch into position with the positive locking detent pin (C).
- 2. ROUTE WINCH CABLE:** Run the cable (D) over the Vertical Mast pulley (E), then over the Boom pulley (F).

NOTE: the pulley detent pins (G) will need to be removed to allow the snap hook or carabiner to pass through.

3.6 TRANSPORTING THE SYSTEM: Prepare and transport the system as follows:

- 1. ROTATE THE UPRIGHT ASSEMBLY:** See Figure 8. Remove the Rotation Lock Pin (A), rotate the Vertical Mast for best clearance during transport, and then reinsert the Rotation Lock Pin (A) to prevent the Vertical Mast from rotating during transport.
- 2. TRANSPORT THE SYSTEM:** Transport the Flexiguard SafRig Fall Arrest System to the desired work location using a Forklift or Pallet Jack and the Lifting Channels.

CAUTION: Never transport the system without the Rotation Lock Pin inserted.

WARNING: Do not transport at speeds exceeding 5 mph (8 kph). Never transport the system on slopes greater than 10°. Excessive speeds or slopes may cause system and tow vehicle tip-overs resulting in serious injury or death.

WARNING: When transporting the SafRig System, be aware of overhead obstructions and electrical hazards which may result in serious injury or death.

3.7 POSITIONING THE SYSTEM: Figure 11 illustrates positioning and preparation of the Flexiguard SafRig Fall Arrest System for work. Position and prepare the system as follows:

- 1. POSITION THE SYSTEM:** Place the Flexiguard SafRig Fall Arrest System near the work area on a surface with 1° or less of slope.

SLOPE INDICATORS: The Concrete Filled Counterweight Base is equipped with three Slope Indicators (C) for verification of a level surface. Leveling Jacks may be installed in the Leveling Jack Mounts on the Counterweight Base for purposes of leveling the system on a surface that is not level. Extend the Leveling Jacks until they contact the ground. Crank the Leveling Jacks up or down as needed until all Slope Indicators indicate less than 1° of slope.

CAUTION: Personnel shall not be attached to the Flexiguard SafRig Fall Arrest System while it is being positioned.

2. CONFIGURE UPRIGHT ASSEMBLY ROTATION: The Upright Assembly can be locked at 11° rotation increments with the Rotation Lock Pin Mechanism or allowed to rotate through a range defined by two Rotation Limiters.

A. NO ROTATION: (See Figure 11-A) Rotate the Boom to the desired position and then insert the Rotation Lock Pin through the inside Pin Hole and aligned hole in the Rotation Plate to prevent the Jib Boom from rotating.

B. ROTATION RANGE: (See Figure 11-B) Insert the Rotation Lock Pin through the outside Pin Hole and then install Rotation Limiters on each side of the Lock Pin: Remove the Rotation Limiters from their storage positions on the Jib Boom. Insert the Rotation Limiter mounting pegs through the desired holes in the Rotation Plate to define the rotation range.

CAUTION: The Flexiguard SafRig Fall Arrest System may be used without the Rotation Lock Pin inserted, allowing 360° rotation; but can cause increased swing fall in multiple directions in the event of a fall.

3.8 RESCUE AND RETRIEVAL: Figure 13 illustrates installation of a winch system to add rescue and retrieval capability.

4.0 USE

WARNING: Consult your doctor if there is any reason to doubt your fitness to safely absorb the shock from a fall arrest or suspension. Age and fitness seriously affect a worker's ability to withstand falls. Pregnant women or minors must not use DBI-SALA equipment unless in an emergency situation.

WARNING: Never exceed the Capacity maximums specified in Table 1. Exceeding the stated capacity could collapse or tip the system, resulting in serious injury or death.

4.1 BEFORE EACH USE: Verify that your work area and Personal Fall Arrest System (PFAS) meet all criteria defined in Section 2 and a formal Rescue Plan is in place. Inspect the Flexiguard SafRig Fall Arrest System per the 'User' inspection points defined on the "Inspection and Maintenance Log" (Table 2). If inspection reveals an unsafe or defective condition, do not use the SafRig Fall Arrest System. Remove the system from service and contact Capital Safety regarding replacement or repair.

SAFE WORK AREA: Figure 6 illustrates the Safe Work Area for the Flexiguard SafRig Fall Arrest System. The black area in the table in Figure 6 designates unsafe working distances where the difference between the Vertical Fall Distance (F) and the Vertical Distance from the Anchorage Connection Point (V) is more than 4 ft. (1.2 m). NEVER work at a Horizontal Distance (H) and Vertical Distance (V) that results in a calculated Vertical Fall Distance (F) that exceeds the values in the black area in the table in Figure 6.

4.2 FALL ARREST CONNECTIONS: Figure 12 illustrates application of the Flexiguard SafRig Fall Arrest System and its Fall Arrest Connections. The system must always be used with a Full Body Harness and Fall Arrest subsystem.

WARNING: When transferring between SRLs, always maintain 100% tie-off to ensure fall arrest protection in the event of a fall.

IMPORTANT: No more than one person, meeting the Capacity requirements specified in Table 1, shall be attached to the Flexiguard SafRig Fall Arrest System.

WARNING: Inappropriate or incompatible connections between components of the Personal Fall Arrest System (PFAS) may result in serious injury or death. See Section 2 for details regarding connector compatibility and safe connections.

4.3 OPTIONAL RESCUE AND RETRIEVAL KIT: Section 3.4 and Figure 13 describe installation of a winch and cable to add rescue and retrieval capability to the SafRig system.

5.0 INSPECTION

5.1 INSPECTION FREQUENCY: The Flexiguard System must be inspected at the intervals defined in Section 1. Inspection procedures are described in the "Inspection and Maintenance Log" (Table 2). Inspect all other components of the Fall Protection System per the frequencies and procedures defined in the manufacturer's instructions.

5.2 DEFECTS: If inspection reveals an unsafe or defective condition, remove the Jib Boom Assembly from service immediately and contact Capital Safety regarding replacement or repair. Do not attempt to repair the Jib Boom Assembly.

IMPORTANT: Only Capital Safety or parties authorized in writing by Capital Safety may make repairs to this equipment.

5.3 PRODUCT LIFE: The functional life of the System is determined by work conditions and maintenance. As long as the product passes inspection criteria, it may remain in service.

6.0 MAINTENANCE, SERVICING, STORAGE

6.1 CLEANING: Periodically clean The System with a soft brush, warm water, and a mild soap solution. Ensure parts are thoroughly rinsed with clean water.

IMPORTANT: Although highly resistant to chemicals and environmental conditions, avoid contaminating the Flexiguard Anchorage System with acids, bitumen, cement, paint, cleaning fluids, etc. If the equipment contacts acids or other caustic chemicals, remove from service and wash with water and a mild soap solution. Inspect per Table 2 before returning to service.

6.2 SERVICE: Only Capital Safety or parties authorized in writing by Capital Safety may make repairs to this equipment. If the anchor has been subject to fall force or inspection reveals an unsafe or defective conditions, remove the anchor from service and contact Capital Safety regarding replacement or repair.

6.3 STORAGE: When not in use, store the System and associated fall protection equipment in a cool, dry, clean environment out of direct sunlight. Avoid areas where chemical vapors may exist. Thoroughly inspect components after extended storage.

LABELS

The following labels must be present on the Flexiguard SafRig Fall Arrest System. Labels must be replaced if they are not fully legible. Contact Capital Safety for replacement labels.

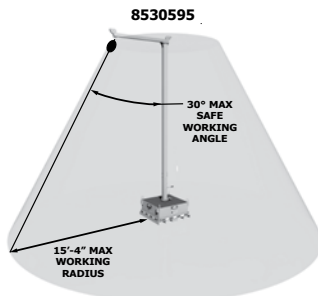
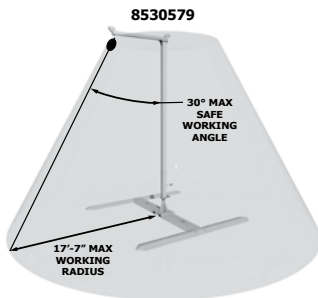
8530579, 8530595,
8530606, 8530607

flexiguard
SAFRIG FALL PROTECTION SYSTEM
OPERATORS INSTRUCTIONS

WARNING

- ALL USERS MUST READ AND UNDERSTAND THE INSTRUCTIONS PRIOR TO USING THIS SYSTEM.
- RETRACTABLE DEVICES AND SHOCK ABSORBERS USED WITH THIS PRODUCT MUST HAVE AN AVERAGE ARRESTING FORCE OF NOT GREATER THAN 900 LB (4 kN) AND MEET ANSI Z359.14 TYPE B OR Z359.13 RESPECTIVELY.
- DO NOT EXCEED THE MAXIMUM NUMBER OF USERS RATING.
- NO MORE THAN ONE PERSON IS ALLOWED TO BE ATTACHED TO A GLIDE RAIL TROLLEY OR ANCHOR POINT AT ANY GIVEN TIME.
- DO NOT EXCEED THE RECOMMENDED SAFE WORKING ANGLE OF 30° AS SHOWN IN FIGURE 1. FAILURE TO WORK WITHIN THE SAFE WORKING AREA MAY CAUSE SERIOUS INJURY OR DEATH.
- BE CAUTIOUS OF OVERHEAD POWER LINES OR OTHER ELECTRIC SOURCES WHICH CAN CAUSE ELECTRIC SHOCK.
- IF YOU HAVE ANY QUESTIONS OR CONCERNS ON THE USAGE, CARE, OR SUITABILITY OF THIS EQUIPMENT, PLEASE CONTACT CAPITAL SAFETY BEFORE USING IT.
- SUPPORTING STRUCTURES FOR THIS SYSTEM MUST BE CERTIFIED AND CAPABLE OF SUPPORTING THE ENTIRE WEIGHT OF THE CONFIGURED SYSTEM ALONG WITH ANY LOADS THAT COULD POTENTIALLY BE INTRODUCED IN THE EVENT OF ARRESTING A FALL.
- ONLY USE THIS SYSTEM ON LEVEL GROUND.

FIGURE 1



WEIGHTS
INDIVIDUAL COMPONENTS:
DAVIT - 550 lbs. [249 kg]
C/W BASE - 5,000 lbs. [2268 kg]
I-BASE - 1,300 lbs. [590 kg]

TOTAL SYSTEM:
8530579 - 1,850 lbs. [839 kg]
8530595 - 5,550 lbs. [2517 kg]

THIS MAN-RATED SYSTEM IS DESIGNED FOR A MAXIMUM OF

1 PERSON

USER CAPACITY IN ACCORDANCE WITH MANUFACTURER'S INSTRUCTIONS. FAILURE TO COMPLY MAY RESULT IN SERIOUS INJURY OR DEATH.

THIS SYSTEM MEETS OR EXCEEDS ALL APPLICABLE OSHA & ANSI STANDARDS.

SALA
9509036 REV A

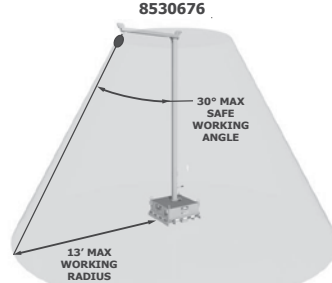
8530676

flexiguard
SAFRIG FALL PROTECTION SYSTEM
OPERATORS INSTRUCTIONS

WARNING

- ALL USERS MUST READ AND UNDERSTAND THE INSTRUCTIONS PRIOR TO USING THIS SYSTEM.
- RETRACTABLE DEVICES AND SHOCK ABSORBERS USED WITH THIS PRODUCT MUST HAVE AN AVERAGE ARRESTING FORCE OF NOT GREATER THAN 900 LB (4 kN) AND MEET ANSI Z359.14 TYPE B OR Z359.13 RESPECTIVELY.
- DO NOT EXCEED THE MAXIMUM NUMBER OF USERS RATING.
- NO MORE THAN ONE PERSON IS ALLOWED TO BE ATTACHED TO A GLIDE RAIL TROLLEY OR ANCHOR POINT AT ANY GIVEN TIME.
- DO NOT EXCEED THE RECOMMENDED SAFE WORKING ANGLE OF 30° AS SHOWN IN FIGURE 1. FAILURE TO WORK WITHIN THE SAFE WORKING AREA MAY CAUSE SERIOUS INJURY OR DEATH.
- BE CAUTIOUS OF OVERHEAD POWER LINES OR OTHER ELECTRIC SOURCES WHICH CAN CAUSE ELECTRIC SHOCK.
- IF YOU HAVE ANY QUESTIONS OR CONCERNS ON THE USAGE, CARE, OR SUITABILITY OF THIS EQUIPMENT, PLEASE CONTACT CAPITAL SAFETY BEFORE USING IT.
- SUPPORTING STRUCTURES FOR THIS SYSTEM MUST BE CERTIFIED AND CAPABLE OF SUPPORTING THE ENTIRE WEIGHT OF THE CONFIGURED SYSTEM ALONG WITH ANY LOADS THAT COULD POTENTIALLY BE INTRODUCED IN THE EVENT OF ARRESTING A FALL.
- ONLY USE THIS SYSTEM ON LEVEL GROUND.

FIGURE 1



WEIGHTS
INDIVIDUAL COMPONENTS:
DAVIT - 470 lbs. [213 kg]
C/W BASE - 5,000 lbs. [2268 kg]

TOTAL SYSTEM:
8530676 - 5,470 lbs. [2481 kg]

THIS MAN-RATED SYSTEM IS DESIGNED FOR A MAXIMUM OF

1 PERSON

USER CAPACITY IN ACCORDANCE WITH MANUFACTURER'S INSTRUCTIONS. FAILURE TO COMPLY MAY RESULT IN SERIOUS INJURY OR DEATH.

THIS SYSTEM MEETS OR EXCEEDS ALL APPLICABLE OSHA & ANSI STANDARDS.

SALA
9510939 REV A

8530579, 8530607

WARNING

APPROXIMATE WEIGHT
1,850 lbs / 839 kg

9509030 Rev. A

8530595, 8530606, 8530676

WARNING

APPROXIMATE WEIGHT
5000 lbs / 2,268 kg

9512507 REV A

All Models

DBI SALA
www.capitalsafety.com
Capital Safety
Red Wing, MN, USA
+1-800-328-6146

SERIAL NO.: XXXXXX-
Numéro de série: XXXXXX-

MFRD(Y/M): Fabriqué(a/r m)	LOT NO.: Numéro de lot:	MODEL NO.: Numéro du modèle:	LENGTH (FT): Longueur(m):
-------------------------------	----------------------------	---------------------------------	------------------------------

9504547 Rev. G

8530595, 8530606, 8530676

flexiguard
PORTABLE COUNTERWEIGHTED JIB BASE SYSTEM WITH
CENTER MOUNTED SLEEVE OPERATORS INSTRUCTIONS

WARNING

- DO NOT USE THIS SYSTEM UNLESS IT HAS BEEN FILLED WITH 4000 PSI CONCRETE.
- DO NOT FILL THE DAVIT SLEEVE WITH CONCRETE. PLUG HOLE WHILE FILLING BOX.
- ALL USERS MUST READ AND UNDERSTAND THE INSTRUCTIONS PRIOR TO USING THIS SYSTEM.
- DO NOT TRANSPORT AT SPEEDS GREATER THAN 5 MPH / 8 KPH.
- PLEASE SEE DAVIT WARNING LABEL TO DETERMINE SAFE NUMBER OF USERS.
- NO MORE THAN ONE PERSON IS ALLOWED TO BE ATTACHED TO A GLIDE RAIL TROLLEY OR ANCHOR POINT AT ANY GIVEN TIME.
- BE CAUTIOUS OF OVERHEAD POWER LINES OR OTHER ELECTRIC SOURCES WHICH CAN CAUSE ELECTRIC SHOCK.
- DO NOT USE THIS SYSTEM UNLESS THE SLOPE INDICATORS ARE INDICATING 2° OR LESS OF SLOPE. THE LEVELING JACKS (IF SUPPLIED) SHOULD BE USED TO LEVEL THE SYSTEM WITHIN THE 2° REQUIREMENT.
- ENSURE EQUIPMENT USED TO TRANSPORT THIS SYSTEM HAS SUFFICIENT CAPACITY.
- IF YOU HAVE ANY QUESTIONS OR CONCERNS ON THE USAGE, CARE, OR SUITABILITY OF THIS EQUIPMENT, PLEASE CONTACT CAPITAL SAFETY BEFORE USING IT.
- SUPPORTING STRUCTURES MUST BE CERTIFIED AND CAPABLE OF SUPPORTING THE ENTIRE WEIGHT OF THE CONFIGURED SYSTEM ALONG WITH ANY LOADS THAT COULD POTENTIALLY BE INTRODUCED IN THE EVENT OF A FALL.
- WHEN TRANSPORTING THIS SYSTEM USING THE LIFTING EYES, ALWAYS LIFT FROM ALL FOUR POINTS EVENLY. DO NOT STAND BELOW THE SYSTEM WHILE IT IS BEING LIFTED OR TRANSPORTED.

SALA
9512505 REV A

PLATE 9504547 ID LABEL HERE

LIMITED LIFETIME WARRANTY

Warranty to End User: D B Industries, Inc., dba CAPITAL SAFETY USA ("CAPITAL SAFETY") warrants to the original end user ("End User") that its products are free from defects in materials and workmanship under normal use and service. This warranty extends for the lifetime of the product from the date the product is purchased by the End User, in new and unused condition, from a CAPITAL SAFETY authorized distributor. CAPITAL SAFETY'S entire liability to End User and End User's exclusive remedy under this warranty is limited to the repair or replacement in kind of any defective product within its lifetime (as CAPITAL SAFETY in its sole discretion determines and deems appropriate). No oral or written information or advice given by CAPITAL SAFETY, its distributors, directors, officers, agents or employees shall create any different or additional warranties or in any way increase the scope of this warranty. CAPITAL SAFETY will not accept liability for defects that are the result of product abuse, misuse, alteration or modification, or for defects that are due to a failure to install, maintain, or use the product in accordance with the manufacturer's instructions.

CAPITAL SAFETY'S WARRANTY APPLIES ONLY TO THE END USER. THIS WARRANTY IS THE ONLY WARRANTY APPLICABLE TO OUR PRODUCTS AND IS IN LIEU OF ALL OTHER WARRANTIES AND LIABILITIES, EXPRESSED OR IMPLIED. CAPITAL SAFETY EXPRESSLY EXCLUDES AND DISCLAIMS ANY IMPLIED WARRANTIES OF MERCHANTABILITY OR FITNESS FOR A PARTICULAR PURPOSE, AND SHALL NOT BE LIABLE FOR INCIDENTAL, PUNITIVE OR CONSEQUENTIAL DAMAGES OF ANY NATURE, INCLUDING WITHOUT LIMITATION, LOST PROFITS, REVENUES, OR PRODUCTIVITY, OR FOR BODILY INJURY OR DEATH OR LOSS OR DAMAGE TO PROPERTY, UNDER ANY THEORY OF LIABILITY, INCLUDING WITHOUT LIMITATION, CONTRACT, WARRANTY, STRICT LIABILITY, TORT (INCLUDING NEGLIGENCE) OR OTHER LEGAL OR EQUITABLE THEORY.



Global Leader In Fall Protection

USA

3833 SALA Way
Red Wing, MN 55066-5005
Toll Free: 800.328.6146
Phone: 651.388.8282
Fax: 651.388.5065
solutions@capitalsafety.com

Brazil

Rua Anne Frank, 2621
Boqueirão Curitiba PR
81650-020
Brazil
Phone: 0800-942-2300
brasil@capitalsafety.com

Mexico

Calle Norte 35, 895-E
Col. Industrial Vallejo
C.P. 02300 Azcapotzalco
Mexico D.F.
Phone: (55) 57194820
mexico@capitalsafety.com

Colombia

Compañía Latinoamericana de Seguridad S.A.S.
Carrera 106 #15-25 Interior 105 Manzana 15
Zona Franca - Bogotá, Colombia
Phone: 57 1 6014777
servicioalcliente@capitalsafety.com

Canada

260 Export Boulevard
Mississauga, ON L5S 1Y9
Phone: 905.795.9333
Toll-Free: 800.387.7484
Fax: 888.387.7484
info.ca@capitalsafety.com

EMEA (Europe, Middle East, Africa)

EMEA Headquarters:
5a Merse Road
North Moons Moat
Redditch, Worcestershire
B98 9HL UK
Phone: + 44 (0)1527 548 000
Fax: + 44 (0)1527 591 000
csgne@capitalsafety.com

France:

Le Broc Center
Z.I. 1re Avenue - BP15
06511 Carros Le Broc Cedex
France
Phone: + 33 04 97 10 00 10
Fax: + 33 04 93 08 79 70
information@capitalsafety.com

Australia & New Zealand

95 Derby Street
Silverwater
Sydney NSW 2128
Australia
Phone: +(61) 2 8753 7600
Toll-Free : 1800 245 002 (AUS)
Toll-Free : 0800 212 505 (NZ)
Fax: +(61) 2 8753 7603
sales@capitalsafety.com.au

Asia

Singapore:
69, Ubi Road 1, #05-20
Oxley Bizhub
Singapore 408731
Phone: +65 - 65587758
Fax: +65 - 65587058
inquiry@capitalsafety.com

Shanghai:

Rm 1406, China Venturetech Plaza
819 Nan Jing Xi Rd,
Shanghai 200041, P R China
Phone: +86 21 62539050
Fax: +86 21 62539060
inquiry@capitalsafety.cn

www.capitalsafety.com

