

S19-110HFP Frost-Proof Drench Shower

- Exceeds American National Standard Z358.1 Specifications
- Galvanized Steel Protected with BradTect® Safety Yellow Coating
- Universal Identification Sign and Inspection Tag Included
- Full, One-Year Warranty
- SpinTec™ showerheads are covered by one or more of the following patents: 8113446; D594,089; D669,555; Reg. Comm. Des. D001079560-0001. Other patents pending.

Specifications

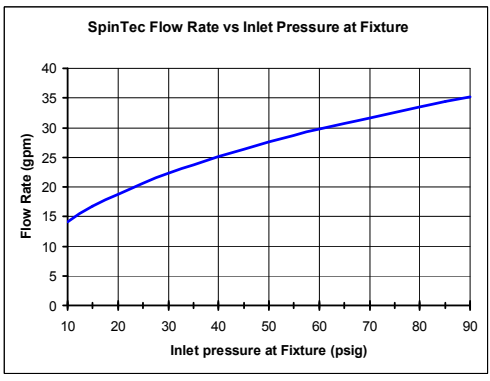
Designed for areas subject to freezing. Drench shower fits easily into any work environment. Shower valve operates quickly by a large, highly visible push handle. Shower provides a superior washdown with a more even spray pattern.

This plumbing fixture is not intended to dispense water for human consumption through drinking or for preparation of food or beverages.

Standard Equipment

SpinTec™ Showerhead

3.1" (78.7mm) diameter highly visible yellow impact-resistant plastic for high visibility in emergency situations. SpinTec drench showerhead features integral 22 GPM flow control, conserving water and helping to accurately size your tepid water system.



Frost-Proof Valve

1" stay-open valve. Hand operated by a stainless steel push handle. Standard depth 36" (914mm). Special order for other bury depths (18", 48", 60", 72").

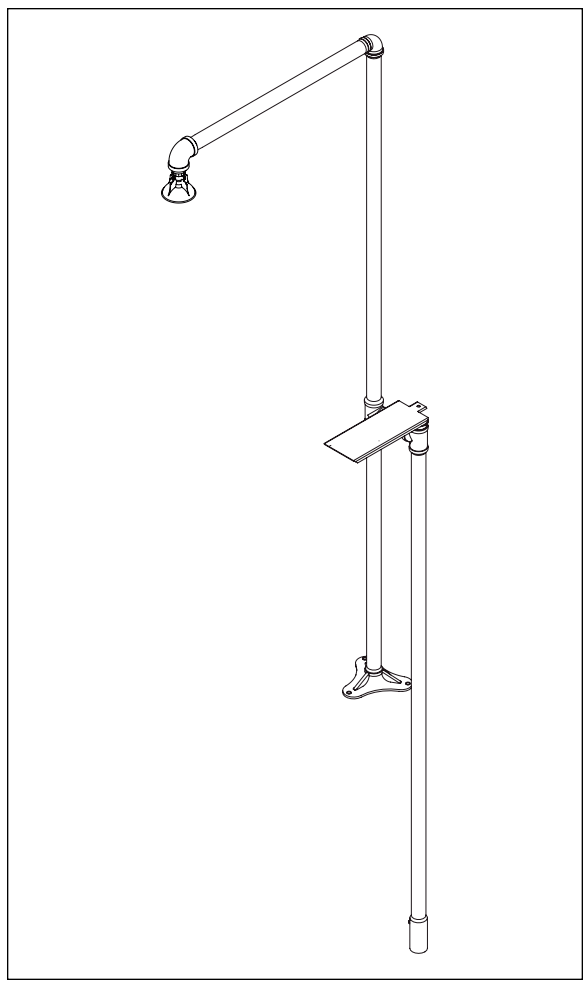
Special order depths are non-returnable.

Pipe and Fittings

1¼" galvanized steel with BradTect® safety yellow coating.

Water Supply

1¼" NPT.



Recommended Option:
Navigator S19-2100 EFX25
Emergency Thermostatic Mixing Valve

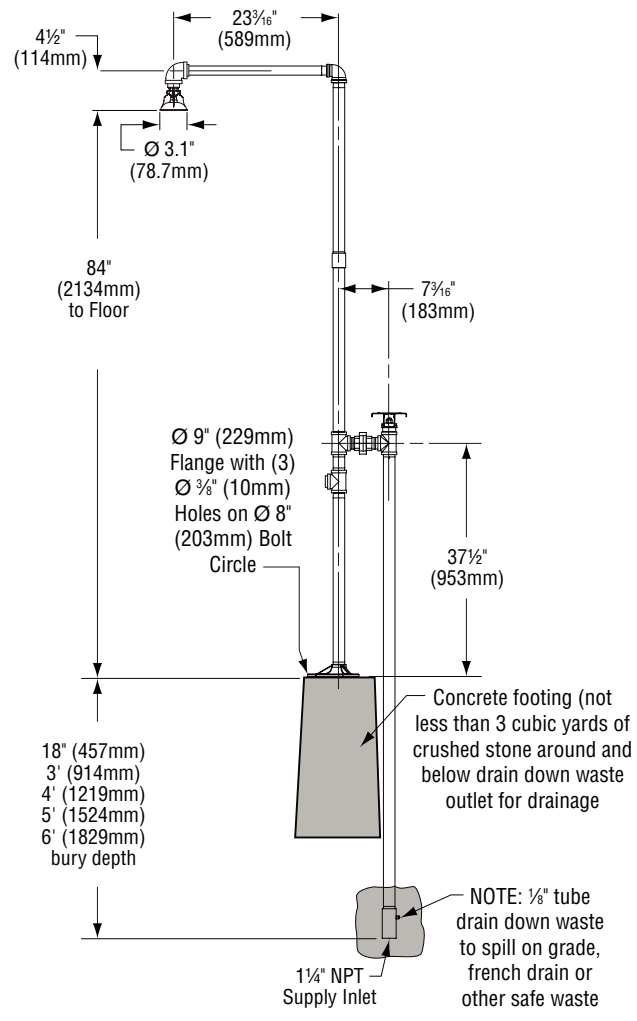



Satisfies ANSI Z358.1
tepid water requirements.

Model	Description
<input type="checkbox"/> S19-110HFP	Frost-Proof Drench Shower
<input type="checkbox"/> S19-2100	Navigator EFX25 - Emergency Thermostatic Mixing Valve

- [Bradley S19-110HFP18 Free Standing Safety Drench Shower](#)
- [Bradley S19-110HFP3 Free Standing Safety Drench Shower](#)
- [Bradley S19-110HFP4 Free Standing Safety Drench Shower](#)
- [Bradley S19-110HFP5 Free Standing Safety Drench Shower](#)
- [Bradley S19-110HFP6 Free Standing Safety Drench Shower](#)

S19-110HFP
Frost-Proof Drench Shower



All dimensions assume standard thread engagement. Variations in manufacturing allow for +/- 1/8" (3mm) per threaded joint. To find the tolerance of a dimension, add the number of thread joints in between a dimension and multiply it by 1/8" (3mm).