

S19-220H, S19-220K, S19-220SS Wall-Mount Eye/Face Wash Units

- Complies with American National Standard Z358.1
- Galvanized Steel Pipe Protected with BradTect® Safety Yellow Coating or All Stainless Steel
- Universal Identification Sign and Inspection Tag Included
- Wall Bracket Included
- Full, One-Year Warranty
- Classified by Underwriters Laboratory Inc. to ANSI Z358.1

Specifications

Unit design saves space and fits easily into any work environment. Eye/face wash operates quickly by a large, highly visible push handle. Safe, steady water flow under varying water supply conditions from 30–90 PSI is assured by integral flow control in the sprayhead assembly. NOTE: The ANSI Z358.1 standard requires an uninterrupted supply of flushing fluid at a minimum 30 PSI flowing pressure.

This plumbing fixture is not intended to dispense water for human consumption through drinking or for preparation of food or beverages.

Standard Equipment

Eyewash Bowl

10" (254mm) diameter yellow impact-resistant plastic (S19-220H) or 10¾" (273mm) corrosion-resistant stainless steel (S19-220K and S19-220SS).

Standard Sprayhead Assembly

Chrome-plated brass sprayhead assembly with twin soft-flow eyewash heads and protective sprayhead covers. Safe, steady water flow under varying water supply conditions from 30–90 PSI is assured by integral flow control in the sprayhead assembly. S19-220SS is all stainless steel.

Face Spray Ring

Chrome-plated circular spray ring provides supplemental face spray. The integral flow control assures safe, steady flow under varying water supply conditions from 30–90 PSI. S19-220SS is all stainless steel.

Valve

Chrome-plated brass ½" NPT stay-open ball valve. Hand operated by a large, highly visible stainless steel push handle. S19-220SS is all stainless steel.

Pipe and Fittings

Galvanized steel protected with BradTect® safety yellow coating. S19-220SS is all stainless steel.

Wall Bracket

Heavy-gauge sand cast aluminum protected with BradTect® safety yellow coating. Includes three clearance holes for mounting bracket onto wall (mounting hardware not included). S19-220SS is all stainless steel.

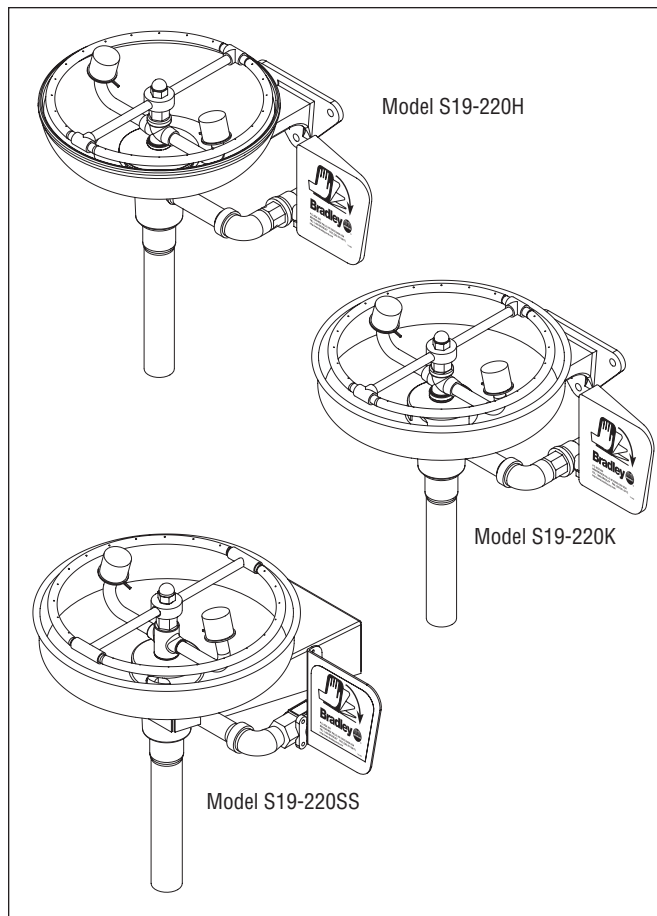
Waste

1¼" drain fitting and tailpiece furnished.

Water Supply

½" NPT.

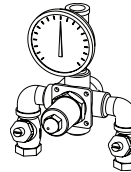
Model	Description
<input type="checkbox"/> S19-220H	Wall-Mount Eye/Face Wash Unit - Plastic Bowl
<input type="checkbox"/> S19-220K	Wall-Mount Eye/Face Wash Unit - Stainless Steel Bowl
<input type="checkbox"/> S19-220SS	Wall-Mount Eye/Face Wash Unit, All Stainless Steel
<input type="checkbox"/> S19-2000	Navigator EFX8 – Emergency Thermostatic Mixing Valve



Recommended Option:

Navigator S19-2000 EFX8
Emergency Thermostatic Mixing Valve

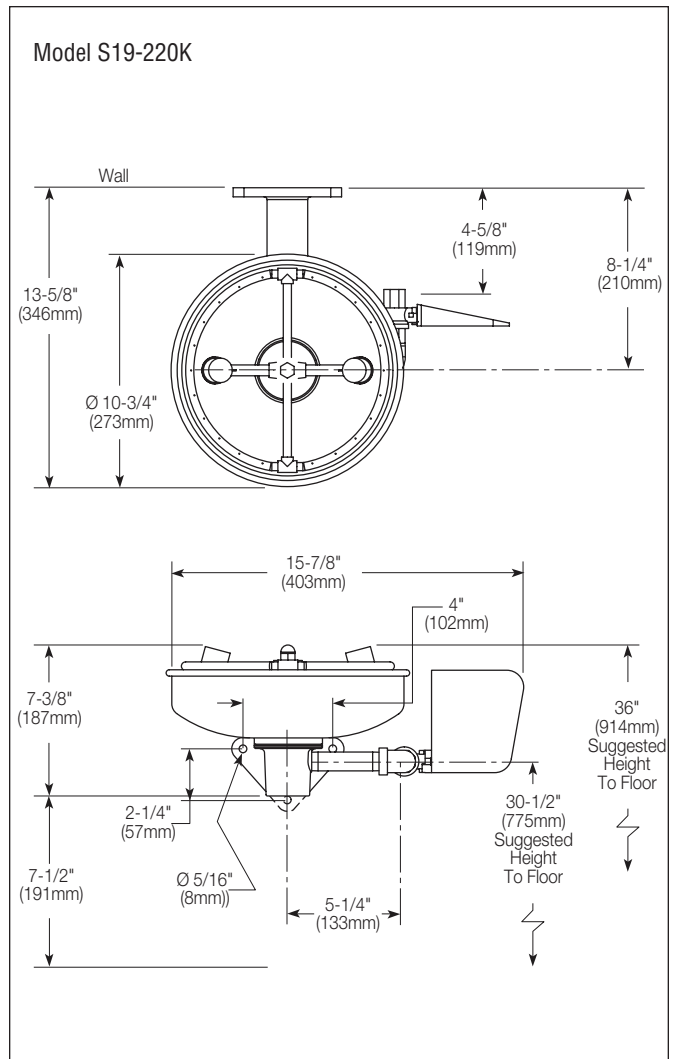
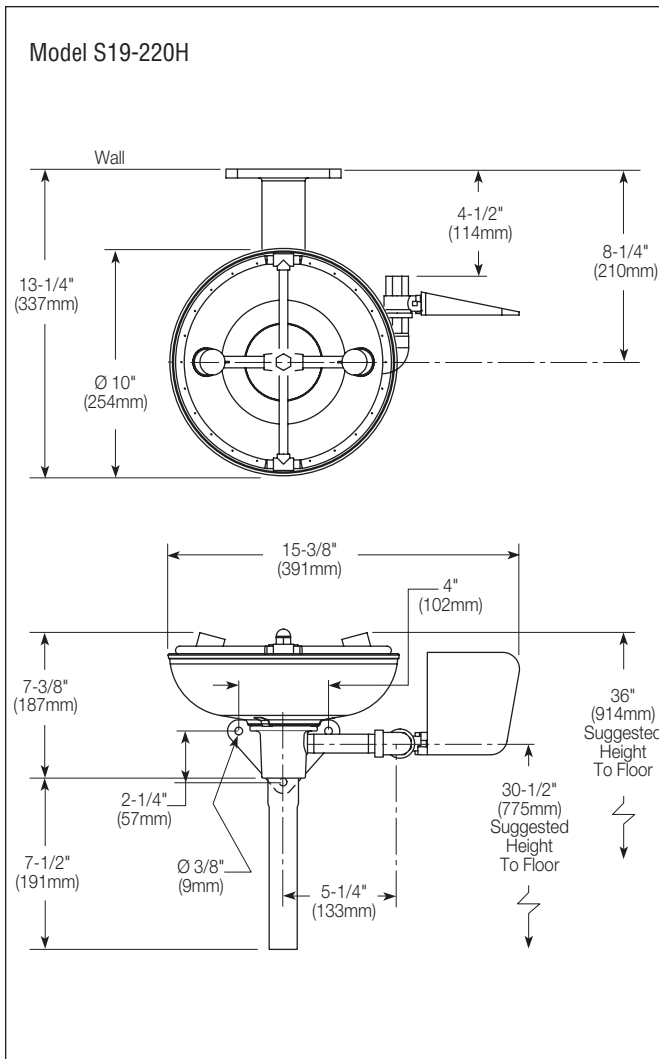
NAVIGATOR



Satisfies ANSI Z358.1
tepid water requirements.

[Bradley S19-220SS Eye-Face Wash with Spray Ring All Stainless Steel](#)

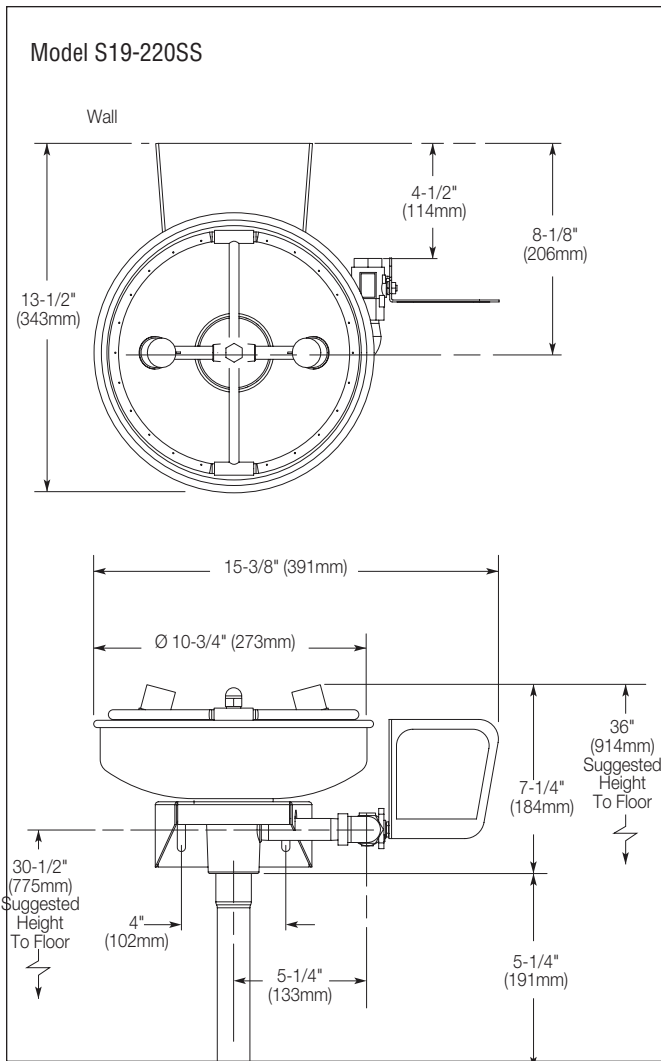
S19-220H, S19-220K, S19-220SS
Wall-Mount Eye/Face Wash Units



Local codes may require the installation of a backflow prevention valve to complete proper installation. Compliance with local codes is the responsibility of the installer. Valve must be tested annually to verify that it is functioning properly. Backflow prevention valves are not included with the fixture and may be supplied by the contractor or purchased from Bradley Corporation.

All dimensions assume standard thread engagement. Variations in manufacturing allow for +/- 1/8" (3mm) per threaded joint. To find the tolerance of a dimension, add the number of thread joints in between a dimension and multiply it by 1/8" (3mm).

S19-220H, S19-220K, S19-220SS
Wall-Mount Eye/Face Wash Units



Local codes may require the installation of a backflow prevention valve to complete proper installation. Compliance with local codes is the responsibility of the installer. Valve must be tested annually to verify that it is functioning properly. Backflow prevention valves are not included with the fixture and may be supplied by the contractor or purchased from Bradley Corporation.

All dimensions assume standard thread engagement. Variations in manufacturing allow for +/- 1/8" (3mm) per threaded joint. To find the tolerance of a dimension, add the number of thread joints in between a dimension and multiply it by 1/8" (3mm).