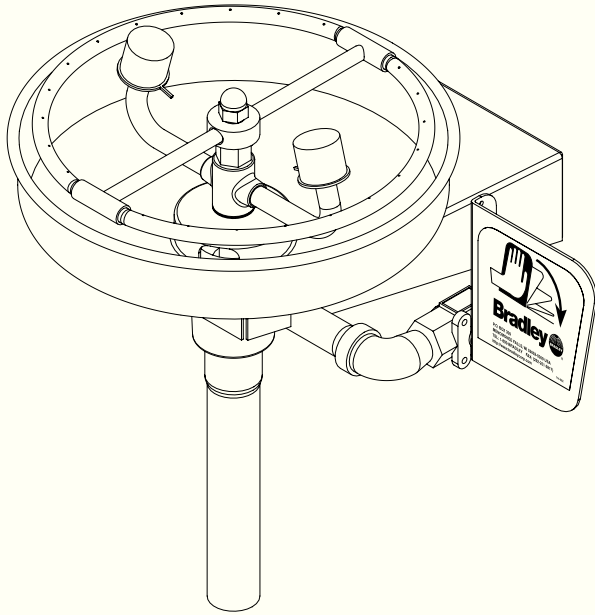


Installation



S19-220SS

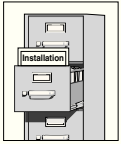
Stainless Steel Wall-Mounted Eyewash

Table of Contents

Pre-Installation Information	2
Installation Instructions	3
Assembly of Components	4
Parts List	4

[Bradley S19-220SS Eye-Face Wash with Spray Ring](#)

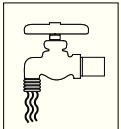
⚠ WARNING ⚠



Read this installation manual completely to ensure proper installation, then file it with the owner or maintenance department. Compliance and conformity to drain requirements and other local codes and ordinances is the responsibility of the installer.



Separate parts from packaging and make sure all parts are accounted for before discarding any packaging material. If any parts are missing, do not begin installation until you obtain the missing parts.



Flush the water supply lines before beginning installation and after installation is complete. Test the unit for leaks and adequate water flow. Main water supply to the eyewash should be “ON” at all times. Provisions shall be made to prevent unauthorized shutoff.



The ANSI Z358.1 standard requires an uninterrupted supply of flushing fluid. Bradley plumbed emergency fixtures require a minimum of 30 PSI (0.21 MPa) flowing pressure. Flushing fluid should be tepid per ANSI Z358.1.



The inspection and testing results of this equipment should be recorded weekly to verify proper operation. This equipment should be inspected annually to ensure compliance with ANSI Z358.1.



Workers who may come in contact with potentially hazardous materials should be trained regarding the placement and proper operation of emergency equipment per ANSI Z358.1.



Product warranties may also be found under “Product Information”.

Installation Instructions

Supplies Required:

- (2) 1/4" bolts and wall anchors for mounting wall bracket
- Pipe sealant
- Piping to 1/2" NPT water supply inlet on unit
- Piping to 1-1/4" NPT drain outlet for eyewash
- Sign-mounting hardware

Step 1: Install wall bracket

NOTE: The top of the eyewash heads should be 33"-45" (838mm-1143mm) from the floor.

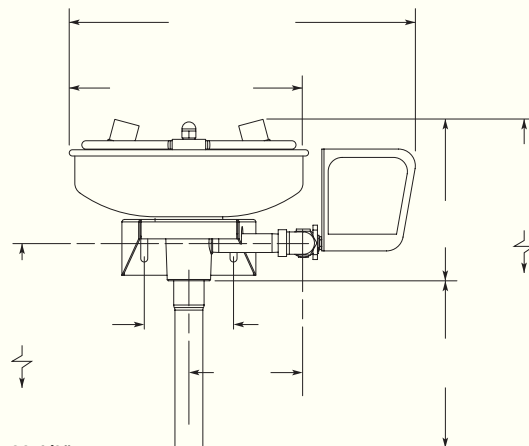
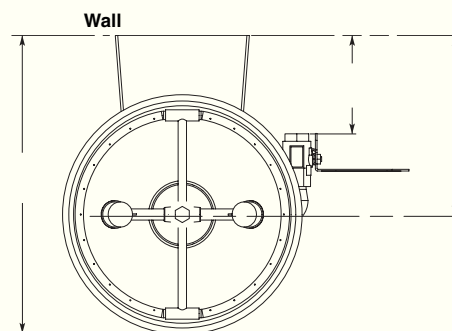
1. Position the wall bracket on the wall.
2. Using the wall bracket as a template, mark the bolt hole locations on the wall OR install two suitable fasteners (supplied by installer) for 1/4" bolts in the wall at the marked hole locations.
3. Bolt the wall bracket to the wall or wall fasteners using 3/8" bolts (supplied by installer).

Step 2: Assemble eyewash components

1. Assemble the remaining components as shown on page 4.
 - Apply pipe sealant (supplied by installer) to all male-threaded pipe joints.

Step 3: Connect water supply

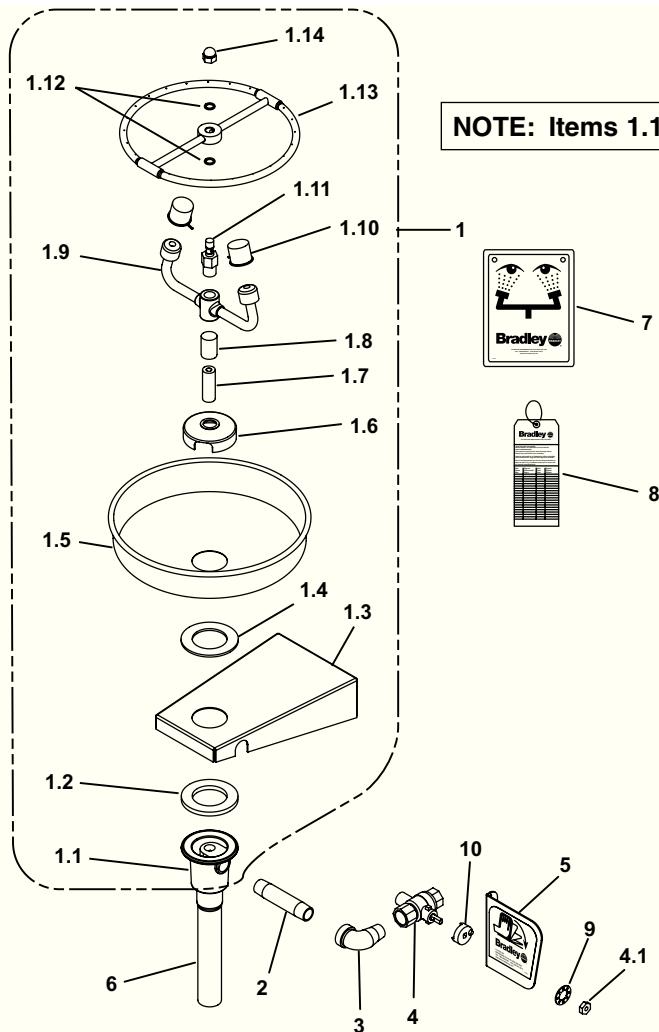
1. Connect the water supply piping to the 1/2" NPT inlet on the eyewash (piping supplied by installer).
2. Connect drain piping to the 1-1/4" NPT drain outlet on the eyewash (piping supplied by installer).
3. Mount the safety sign to a wall or pipe using sign mounting hardware (supplied by installer).
4. Open the water supply lines. Test for leaks and adequate water flow.



30-1/2"
(775mm)
Suggested
Height To
Floor

36"
(914mm)
Suggested
Height To
Floor

Assembly of Components and Parts List



NOTE: Items 1.1–1.14 come preassembled as Item 1.

For proper handle and ball valve kits, refer to instruction sheet 215-1774.

Item	Part No.	Qty	Description	Item	Part No.	Qty	Description
1	S90-318	1	Stainless Steel Eyewash Assy.	1.13	S57-148	1	Spray Ring Assembly
1.1	111-049	1	Inlet-Drain Fitting	1.14	110-209	1	Acorn Nut
1.2	124-028	1	Gasket	2	113-965	1	Pipe, Stainless Steel 1/2" x 3-1/2"
1.3	140-645	1	Wall Bracket	3	269-241	1	Street Elbow
1.4	124-024	1	Gasket	4	S27-328	1	1/2" Ball Valve with Nut
1.5	187-053	1	Stainless Steel Eyewash Bowl	4.1	110-248	1	Nut 316 Stainless Steel
1.6	173-009	1	Cup Strainer	5	S08-336	1	Handle Assembly
1.7	S21-074	1	Supply Pipe	6	269-167	1	Tailpiece
1.8	113-1159	1	Spacer, Drain	7	114-051	1	Safety Sign
1.9	S05-131	1	Eyewash Yoke	8	204-421	1	Emergency Tag
1.10	107-371	2	Dust Cover	9	142-002DA	1	Washer
1.11	269-912	1	Swivel Stem	10	153-372R	1	Adapter
1.12	124-055	2	Quad Ring				

Prepack S45-2285 includes Items 1.4, 1.6, 1.7, 1.8

Prepack S05-127 includes Items 1.11, 1.12, 1.13, 1.14

Prepack S30-109 includes Items 4, 5, 9, 10