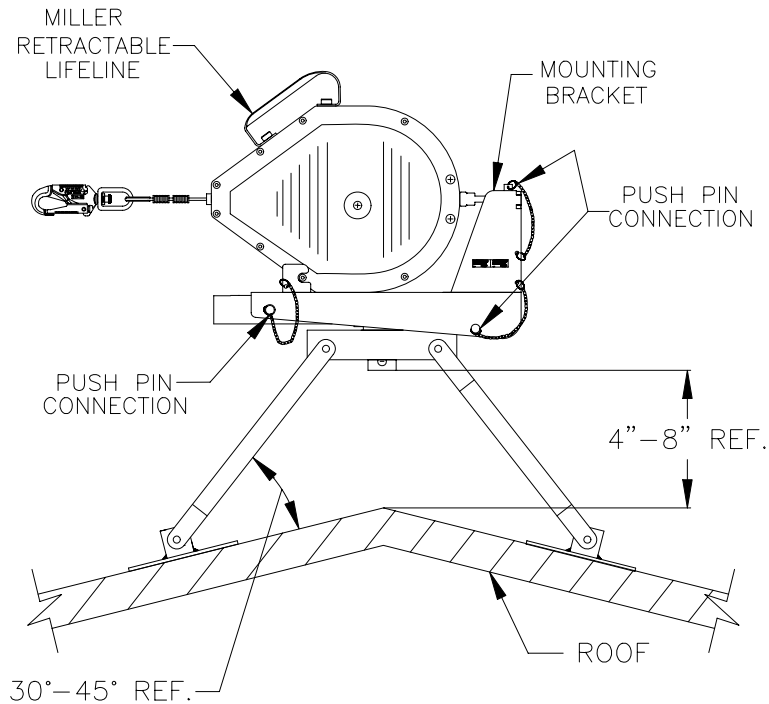


ROOFSTRIDER SYSTEM SPECIFICATION SHEET

RM50P & RM65G



SHOWN MOUNTED ON A WOOD STRUCTURE
WITH A MILLER MIGHTY LITE RETRACTABLE LIFELINE

Capacity:	310 lbs. maximum
Materials/Finish:	Zinc-plated MightyLite mounting bracket Painted steel rotator, base and legs
Fasteners:	12 – 16D nails 1 – 2-inch bolt & lock-nut 1 – 5-inch bolt & lock washer
Weight:	RM50P – 60 lbs. RM65G – 69 lbs.
Standards:	Meets or exceeds applicable OSHA and ANSI standards.

Note: See MightyLite Specification Sheet for details on the MightyLite self-retracting lifeline.

[Miller Honeywell RM50G/50FT RoofStrider System Kit](#)
[Miller Honeywell RM50P/50FT RoofStrider System Kit](#)
[Miller Honeywell SRM30G/30FT RoofStrider II System Kit](#)
[Miller Honeywell SRM50G/50FT RoofStrider II System Kit](#)
[Miller Honeywell SRM50P/50FT RoofStrider II System Kit](#)
[Miller Honeywell SRM65G/65FT RoofStrider II System Kit](#)